



### SPECIFICATIONS SHEET

**PRODUCT TYPE : CONDENSOR MICROPHONE**

**PRODUCT SERIES : PR12269-MIC**

**DESCRIPTION : MIC UNI 6030 2V 2.2KR 46/3 RoHS SP  
1) INTERNAL 10pF AND 33pF CAP**

**COLOR : SILVER**

#### ELECTRICAL SPECIFICATIONS

<b>MODEL NO.</b>		<b>PR12269-MIC-U6030</b>
<b>DIAMETER ( A ) +/- 0.1</b>	mm	Ø 6.0
<b>HEIGHT ( B ) +/- 0.3</b>	mm	3.0
<b>SENSITIVITY ( 0 dB = 1V / Pa ) AT 1K Hz</b>	dB	- 46.0 ± 3.0
<b>DIRECTIVITY</b>		UNIDIRECTIONAL
<b>POWER SUPPLY ( Vs )</b>	V	2.0
<b>RESISTANCE LOADING ( RL )</b>	Ω	2.2 K
<b>OPERATING VOLTAGE RANGE</b>	V	1.0 ~ 10.0
<b>MAX. CURRENT</b>	mA	0.5
<b>TERMINAL</b>		NIL
<b>HOUSING MATERIAL</b>		ALUMINUM
<b>S / N RATIO</b>	dB	MORE THEN 55.0
<b>FREQUENCY RANGE</b>	Hz	100 ~ 10000

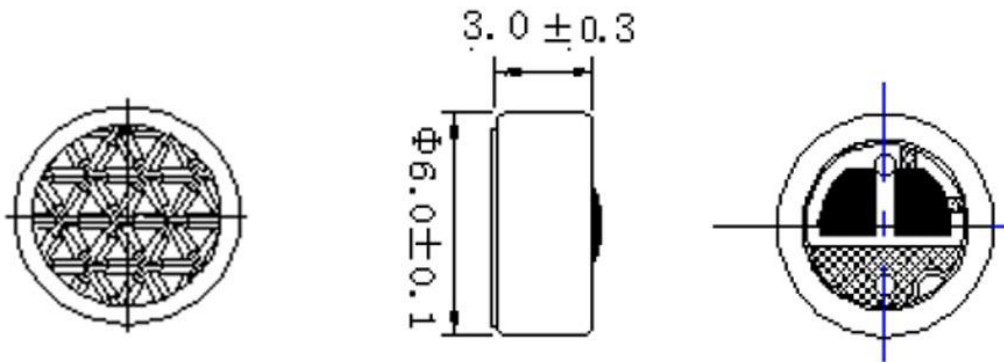
#### DIMENSIONS

UNIT : mm

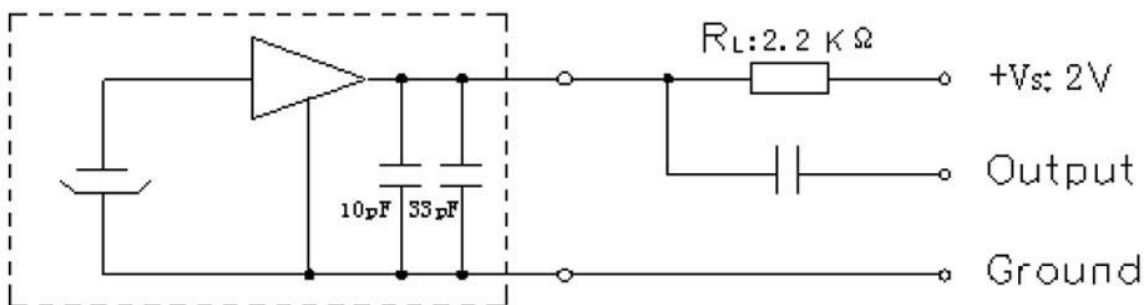
TOP VIEW

SIDE VIEW

BOTTOM VIEW



#### Schematic Diagram :



Approved By :   
Date : 5-Jul.-2012

Prepared By :   
Date : 5-Jul.-2012

Modify :	Date :	By :