

1

2

3

4

5

6

7

8

A

A

B

B

C

C

D

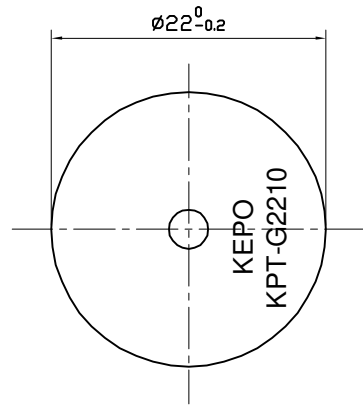
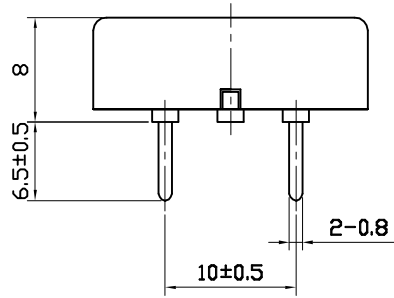
D

E

E

F

F



## SPECIFICATION

- 1. Rated Voltage .....12Vp-p Square Wave
- 2. Operating Voltage .....30Vp-p Square Wave
- 3. Max. Rated Current .....3mA at 4.0KHz/12Vp-p Square Wave
- 4. Min. Sound Pressure Level.....88dB at 4.0KHz/12Vp-p Square Wave/10cm
- 5. Capacitance at 120Hz .....14000pF±30%
- 6. Resonant Frequency .....4.0±0.5KHz.
- 7. Case Material.....PA
- 8. Operating Temperature .....-20~+80℃.
- 9. Store Temperature .....-30~+100℃ .
- 10. Weight .....2.5g.

				<b>KEPO</b> NINGBO KEPO ELECTRONIC CO.,LTD <a href="http://www.chinaacoustic.com">http://www.chinaacoustic.com</a>	
No.		DESCRIPTION	APPROVED	DATE	Piezo Transducer KPT-G2210(印字1)
TOLERANCES UNLESS NOTED OTHERWISE .X = .XX = .XXX = 90° FORMED +2° ANGLES -1°			APPROVALS	DATE	
FIRST ANGLE PROJECTION			DRAWN		UNIT
			CHECKED		mm
			APPROVED	07.02.08	SCALE
					NOT TO SCALE
					SHEET
					VER 1.0
					DWG NO. KP3.840.209.03R

1

2

3

4

5

6

7

8