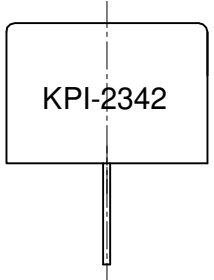
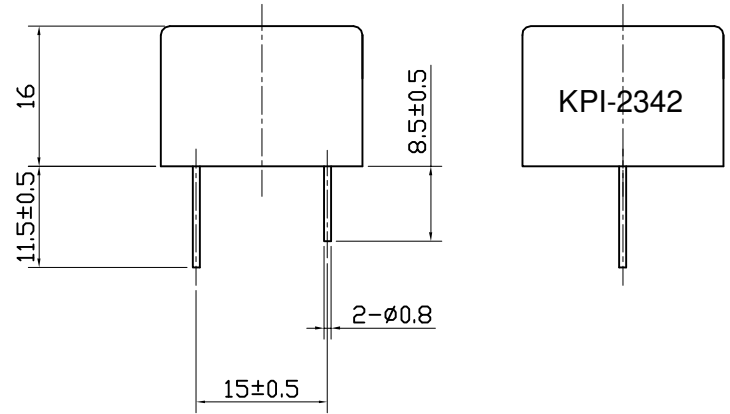
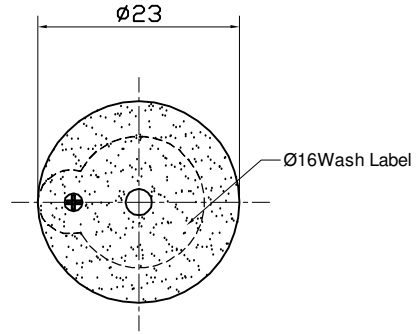


SPECIFICATION



- 1. Rated Voltage9VDC
- 2. Operating Voltage7~12VDC
- 3. Max. Rated Current15mA at 9VDC
- 4. Resonant Frequency3.3±0.5KHz
- 5. Min. Sound Pressure Level.....88dB at 9VDC/30cm
- 6. Tone NatureContinuous
- 7. Case MaterialABS
- 8. Operating Temperature-20~+60°C
- 9. Store Temperature-30~+70°C
- 10. Weight8g



				KEPO NINGBO KEPO ELECTRONIC CO.,LTD http://www.chinaacoustic.com	
No.		DESCRIPTION		APPROVED	DATE
TOLERANCES UNLESS NOTED OTHERWISE		APPROVALS		DATE	Piezo Buzzer Quartz-1 KPI-2342
X =		DRAWN			
.XX =		CHECKED			
.XXX =		APPROVED		08.07.22	
90° FORMED +2° ANGLES -1°		FIRST ANGLE PROJECTION		UNIT: mm DWG NO. OEM2922	
SCALE: NOT TO SCALE		SHEET		VER 1.1	