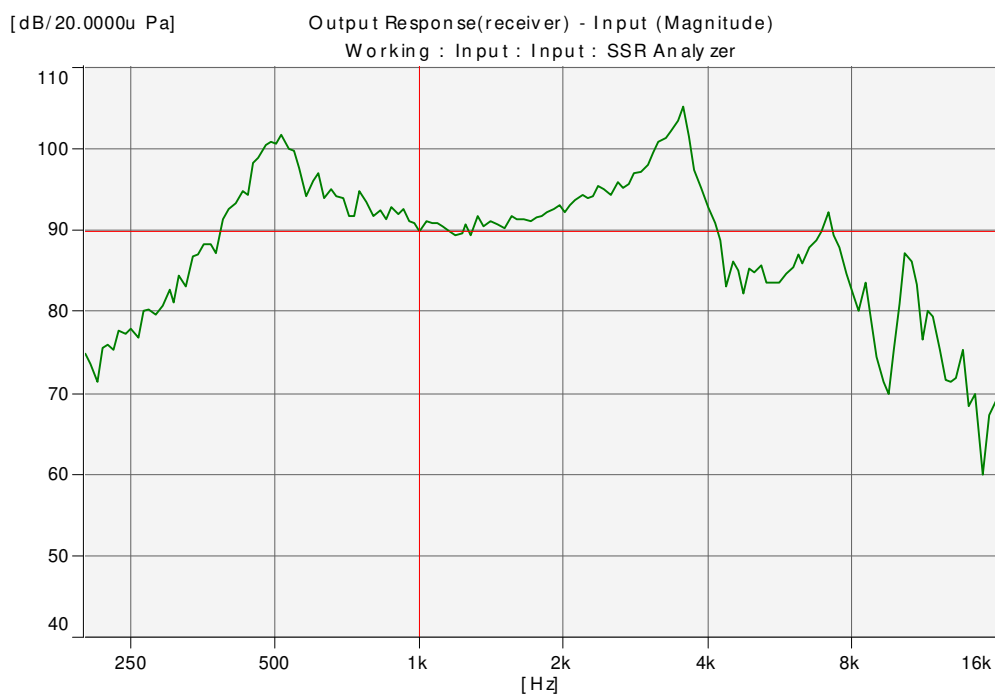
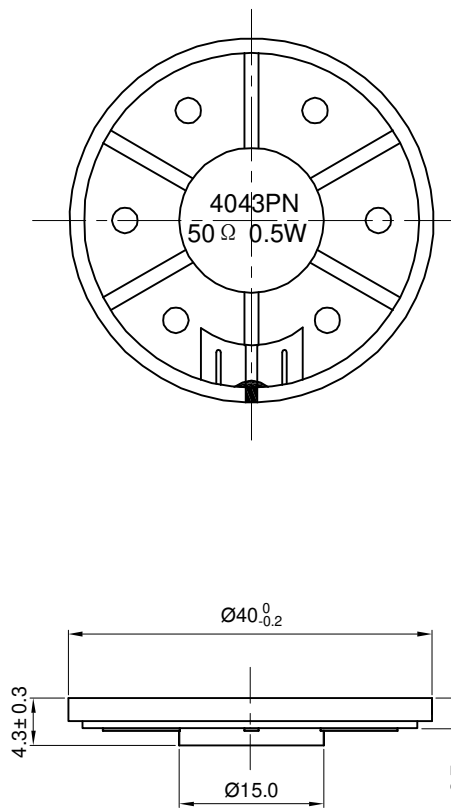


Speaker Specification 受 控

| Customer's Model No. | | Customer | | QUARTZ-1 | |
|----------------------|--------------------------------|---|-------------------------------------|----------|-------------|
| Kepo Model No. | | KPSP4043PN-50/0.5A -5573 | Size | Φ 40mm | No. KFC5573 |
| No. | Item | Specification | Test Condition | | |
| 1 | Impedance | 50Ω ± 15% | at 1000Hz | | |
| 2 | Resonant Fr. (f _o) | 600Hz± 20% | | | |
| 3 | Frequency Range | F0-5.0KHz | | | |
| 4 | Rated Power | 0.5W | | | |
| 5 | Max Power | 0.6W | | | |
| 6 | S.P.L. | 90± 3dB | 0.1w/0.1m at AVG 0.8,1.0,1.2,1.5KHz | | |
| 7 | Distortion | Max 5% | at rated power 1.0kHz | | |
| 8 | Sweep Test | must be normal | at sine wave 5.0 V | | |
| 9 | Load Test | after test meet item 8 | rated noise power, 24 Hrs. | | |
| 10 | Heat Test | after test meet item 8 | 50± 2℃ 5Hrs. | | |
| 11 | Cold Test | after test meet item 8 | -20± 2℃ 5Hrs. | | |
| 12 | Humidity Test | after test meet item 8 | 40± 2℃,90/95%R.H. 5Hrs. | | |
| 13 | Weight | | | | |
| 14 | Polarity Test | When supplied plus D.C. voltage to (+) terminal, the cone must move to forward. | | | |
| 15 | Note | | | | |



Dimensions:



FIRST ANGLE PROJECTION

UNIT : mm
Tolerance : ± 0.2