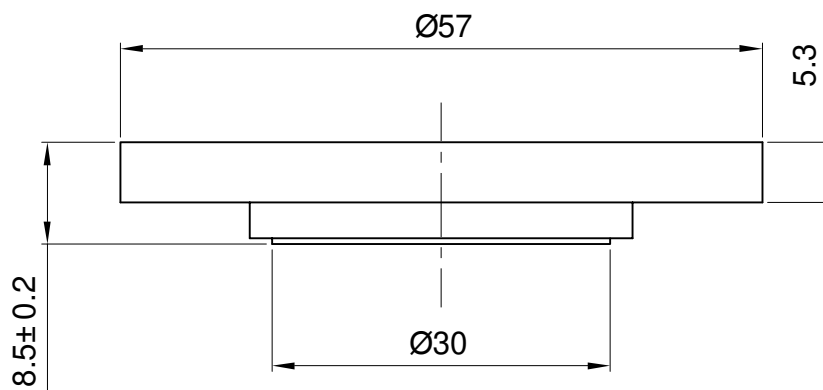
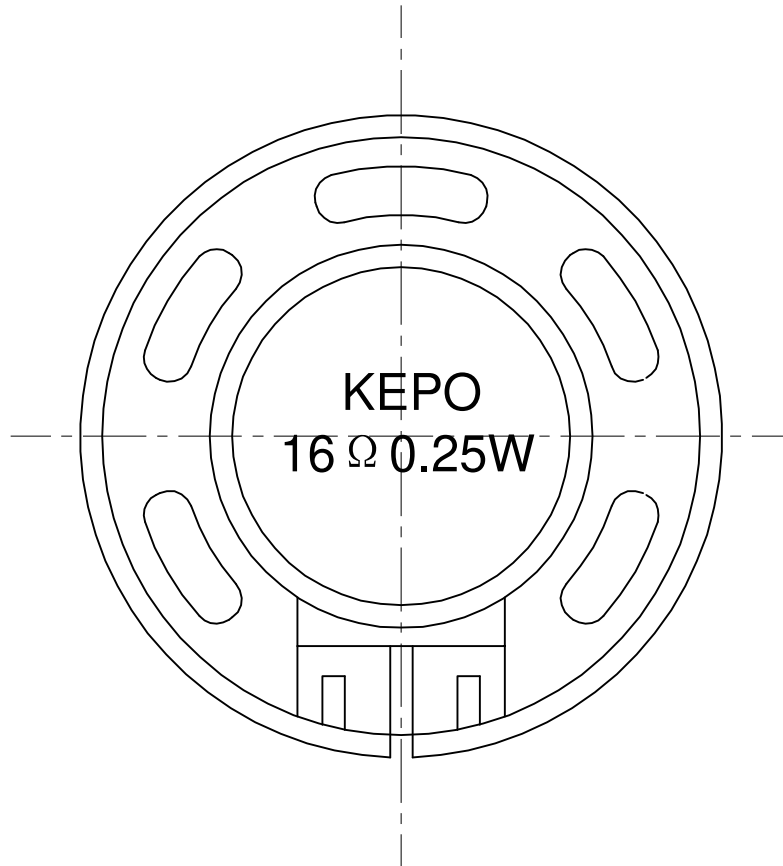


# Speaker Specification

Customer's Model No.			Customer	QUARTZ-1		
Kepo Model No.		KPSP5785PF-16/0.25A	Size	Φ57mm	No.	J22314
No.	Item	Specification	Test Condition			
1	Impedance	16Ω±15%	at 800Hz			
2	Resonant Fr. (f <sub>o</sub> )	400Hz±20%				
3	Frequency Range	F0-4.0KHz				
4	Rated Power	0.25W				
5	Max Power	0.3W				
6	S.P.L.	78±3dB	1W / 1M at 1.0k			
7	Distortion	Max 5%	at rated power 1.0kHz			
8	Sweep Test	must be normal	at sine wave 2.0 V			
9	Load Test	after test meet item 8	rated noise power, 24 Hrs.			
10	Heat Test	after test meet item 8	50±2℃ 5Hrs.			
11	Cold Test	after test meet item 8	-20±2℃ 5Hrs.			
12	Humidity Test	after test meet item 8	40±2℃,90/95%R.H. 5Hrs.			
13	Weight					
14	Polarity Test	When supplied plus D.C. voltage to (+) terminal, the cone must move to forward.				
15	Note					

Dimensions:



FIRST ANGLE PROJECTION

UNIT : mm  
Tolerance : ±0.2