



NVF4-1

NVF4-2

26.5×26.5×24.5

26.5×26.5×24.5(+16)

NVF4-1 & NVF4-2

Features

- Small size and light weight.
- Heavy contact load (40A).
- Contact arrangement Form A and C available.
- Suitable for automobile and lamp accessories application.
- PC board mounting and direct insert mounting available.

Contact Data

Contact Arrangement 1A, 1B, 1C, 1U
 Contact Material Ag-SnO₂, AgNi

Contact Rating (resistive)	1A	1B	1C	1U
	40A, 2×20A/14VDC	30A/14VDC	NO:40A/14VDC NC:30A,40A /14VDC	2×20A/14VDC

Max. Switching Power 630W
 Max. Switching Voltage 75VDC
 Contact Resistance or Voltage drop ≤30mΩ
 Operation life | Electrical 10⁵
 | Mechanical 10⁷

Max. Switching Current:40A
 Item 3.12 of IEC255-7
 Item 3.30 of IEC255-7
 Item 3.31 of IEC255-7

Coil Parameter

Coil voltage VDC		Coil resistance Ω±10%		Pickup voltage VDC(max) (of rated voltage)		release voltage VDC(min) (10% of rated voltage)	Coil power consumption W	Operate Time ms	Release Time ms
Rated	Max.	1.6W	1.9W	65%	70%				
6	7.8	22.5	19	3.9	4.2	0.6	1.6/1.9	≤7	≤5
12	15.6	90	75.8	7.8	8.4	1.2			
24	31.2	360	303.2	15.6	16.8	2.4			

CAUTION: 1.The use of any coil voltage less than the rated coil voltage will compromise the operation of the relay.
 2.Pickup and release voltage are for test purposes only and are not to be used as design criteria.

Operation condition

Insulation Resistance¹⁾ 100MΩ min (at 500VDC) Item 7 of IEC255-5
 Dielectric Strength¹⁾
 Between contacts 50Hz 500V Item 6 of IEC255-5
 Between contact and coil 50Hz 750V Item 6 of IEC255-5
 Shock resistance 147m/s² 11ms IEC68-2-27 Test Ea method 1
 Vibration resistance 10~40Hz double amplitude 1.5mm IEC68-2-6 Test Fc
 Terminals strength 8N 4N (PC type) IEC68-2-21 Test Ua2
 Solderability 230℃±2℃ 10±0.5s IEC68-2-20 Test Ta method 1
 Ambient Temperature -40~85℃
 Relative Humidity 85% (at 40℃) IEC68-2-3Test Ca
 Mass 31g(NVF4-1);36g(NVF4-2)

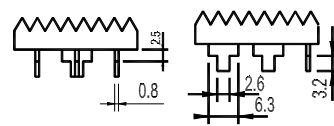
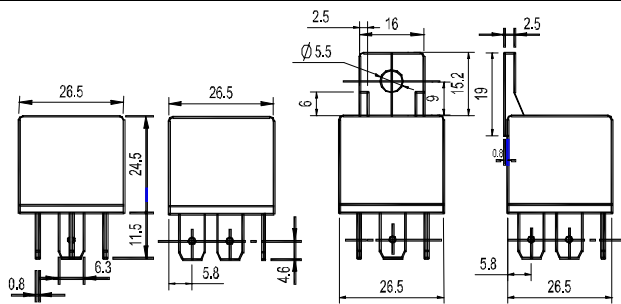
Note: 1). When testing, coil terminals shall be connect , If coil transient suppression is installed in relay .

Qualification inspection:

Perform the qualification test as specified in the table IV of IEC255-19-1 and minimum sample size 24.

Ordering Information	
NVF4-1 C-Z30b DC12V 1.6 D	Coil transient suppression :D:with diod.;2D:with two diods.; R:with resis.;DR:with diod. and resis; NIL:standard Coil power consumption:1.6:1.6W , 1.9:1.9W
	Coil rated DC Voltage:6V , 12V , 24V
	b:PCB type PC , a:plug in type
	Contact Current A From : 2× 20A,40A:B From :30A:C From : 30A、 40A;Ufrom:2× 20A
	Z :Dust Cover, S:Sealed type
	Contact Arrangement : A:1A, C:1C, U:1U
	Part number:NVF4- 1,NVF4- 2(Insulation Bracket), NVF4- 2a(Shrouded Type With Metal Bracke, Contact Arrangement:1A,1C), NVF4- 2b(Shrouded Type With Metal Bracke, Contact Arrangement::1U)

Dimensions (Unit: mm)

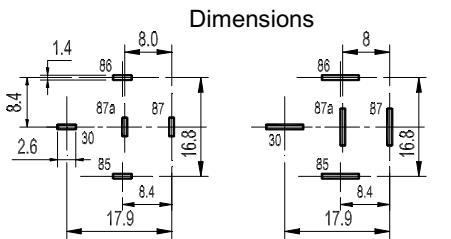


Note: Footprint as shown upper is also available.

mm	inch
0.8	0.031
1.4	0.055
2.5	0.098
2.6	0.102
3.2	0.126
4.6	0.181
5.5	0.127
5.8	0.228
6	0.236
6.3	0.248
8.4	0.331
9	0.354
11.5	0.453
15.2	0.598
16	0.630
17.9	0.705
18	0.748
24.5	0.965
26.5	1.043

NVF4-1 type

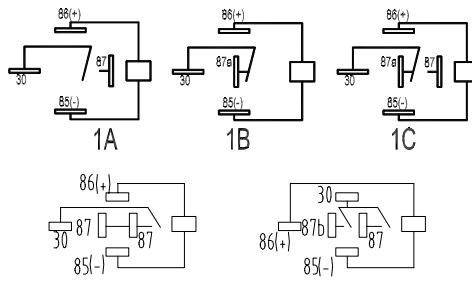
NVF4-2 type



PCB type

Plug in type

Mounting (Bottom views)



1A (2×20A)

1U

Wiring diagram (Bottom views)

Reference Data

