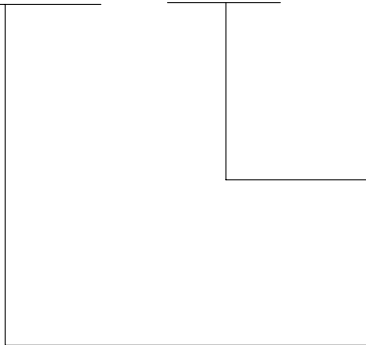




ORDERING CODE

HLS-MK2P - DC12V



NOMINAL VOLTAGE

DC6V,DC9V,DC12V,DC24V,DC36V,DC48V,DC100V,DC110V
 AC6V,AC9V,AC12V,AC24V,AC36V,AC48V,AC100VAC110V,
 AC220V,AC240V

TYPE

CONTACT DATA

Contact Form	2C	
Contact Material	Ag Alloy	
Contact Ratings	10A 250VAC/280VDC	
Max Switching Voltage	250VAC/120VDC	
Max Switching Current	10A	
Max Switching Power	2500VA/280W	
Initial Contact Resistance	50m Ω Max	at 6VDC 1A
Life Expectancy Electrical	100,000	Operations (rated load)
Life Expectancy Mechanical	10,000,000	Operations (no load)

GENERAL DATA

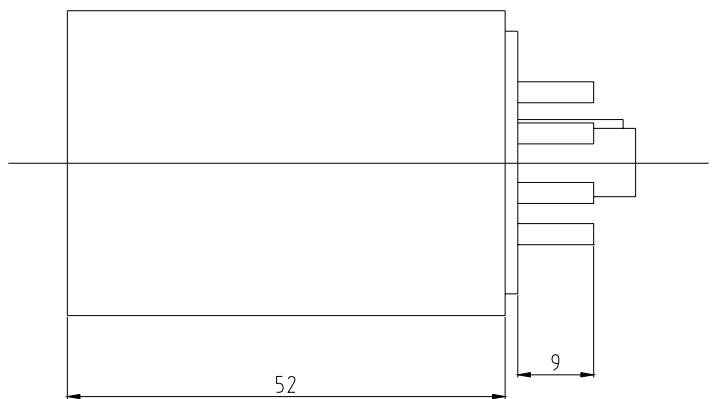
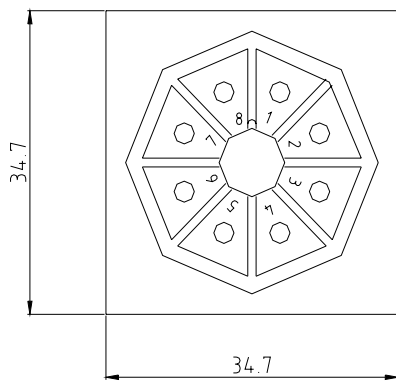
Insulation Resistance		500M Ω min at500VDC
Dielectric Strength Between Open Contacts		1500VAC 50-60HZ (1minute)
Dielectric Strength Between Contacts And Coil		1500VAC 50-60HZ (1 minute)
Operate Time		30ms max
Release Time		20ms max
Ambient Temperature		-40°C to+55°C
Shock Resistance	Malfunction	10G
	Destruction	100G
Vibration Resistance		10-55Hz,1.5mm double amplitude
Ambient humidity		35-85% RH
Weight		Approx76g
Safety Standard		CQC

COIL DATA

Rated Voltage (V)	DC Coil			AC Coil		
	Coil Resistance Ω (± 10%)	Max Operate Voltage (VDC)	Min Release Voltage (VDC)	Coil Resistance Ω (± 10%)	Max Operate Voltage (VDC)	Min Release Voltage (VDC)
6	23.7	4.5	0.6	3.9	4.8	1.8
9	54	6.75	0.9	9	7.2	2.7

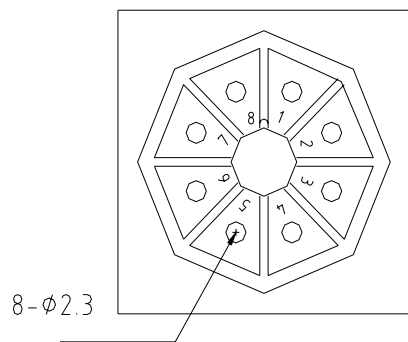
12	96	9	1.2	17	9.6	3.6
24	430	18	2.4	62.5	19.2	7.2
36	860	27	3.6	144	28.8	10.8
48	1640	36	4.8	305	38.4	14.4
110	7360	82.5	11	1250	88	33
220	29500	165	22	5170	176	66

Outline Dimension (mm)

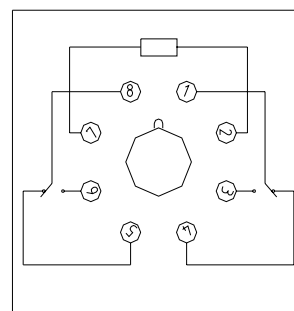


PC Board layout

Wiring Diagram



(Bottom View)



(Bottom View)