



FRS15 RELAY

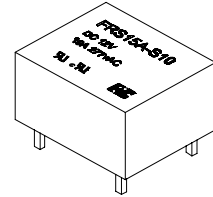


FEATURES

Low profile subminiature relay
Flat type 10.2mm high
Switching capacity up to 10A 277VAC
Class B insulation system
Dust cover or sealed type

 c  Recognized File No. : E139468

 Recognized File No. : R2034463



SPECIFICATIONS

COIL RATING

RATED VOLTAGE (V DC)	COIL RESISTANCE Ω +/- 10%	RATED CURRENT (mA)	MUST OPERATE VOLTAGE	MUST DROPOUT VOLTAGE	MAXIMUM VOLTAGE	POWER CONSUMPTION (W)
			% OF RATED VOLTAGE (AT +20°C)			
3	20	150	75 Max.	5 Min.	200 Max.	0.45W Approx.
5	55	100				
6	80	75				
9	180	50				
12	320	37.5				
18	720	25				
24	1280	18.7				

CHARACTERISTICS

Contact Arrangement	SPST (1 Form A)
Contact Material	Silver Alloy
Contact Resistance	100m Ω Max. (Measured at 1A 24VDC)
Contact Rating (Resistive Load)	10A 277VAC/ 30V DC 12A 125VAC/ 30V DC 1/4HP 125VAC/ 250VAC TV-5 TUV approved rating : 10A 250VAC/24VDC
Switching Voltage	DC110V Max. AC 380V Max.
Operate Time (Initial)	8ms Max. (Typical)
Release Time (Initial)	5ms Max. (Typical)
Insulation Resistance	100M Ω Min. (500V DC)
Dielectric Strength	1000VAC (50Hz/min.) between open contacts 2500VAC (50Hz/min.) between coil and contact
Shock Resistance	10g Operating 100g Damage
Vibration Resistance	1.5mm Double amplitude, 10-50Hz
Ambient Temperature	Operation : -40°C to 80°C (At nominal coil voltage) Storage : -40°C to 130°C
Operation Life	Mechanical : 10 ⁷ Electrical : 10 ⁵ (At rated load)
Weight	6g Approx.

[Specifications are subject to change without notices.]

FORWARD INDUSTRIAL COMPANY. (O/B COMMERCIAL UNION LTD)

RM. 1405, Wu Sang House, 655 Nathan Road, Mongkok, Kowloon, Hong Kong.

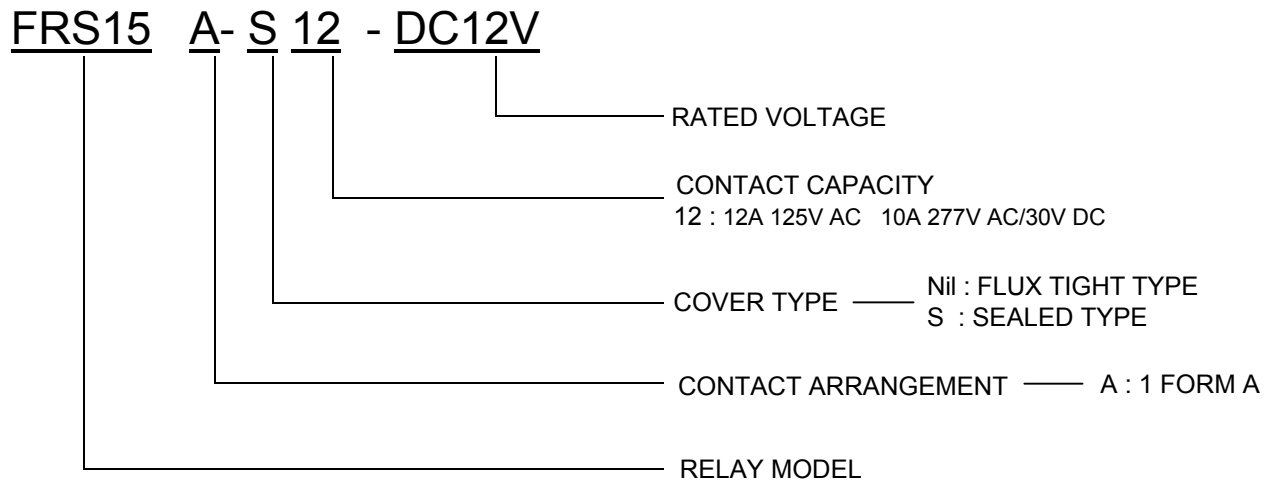
TEL : (852) 27892365 FAX : (852) 27893102 E-MAIL : sales@ficrelay.com.hk

WEBSITE : <http://www.ficrelay.com.hk>

FRS15 RELAY



FEATURES



Note : Pb-Free and RoHS compliant relays are available.

For ordering, please add suffix "Pb-Free" or "RoHS" to standard relay part numbers.

For example : FRS15A-S12 DC 12V "Pb-Free" for Pb-Free Relay

For example : FRS15A-S12 DC 12V "RoHS" for RoHS Compliant Relay

DIMENSIONS (UNIT:mm)

