

## Double-poles Rocker Switch

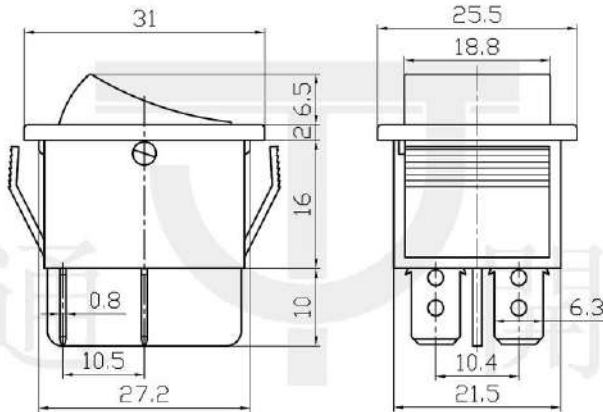
**Q-1058**

TYPE: **RS-201-1C**

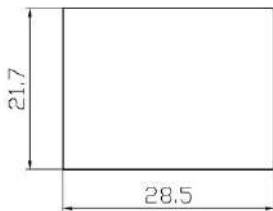
### SPECIFICATIONS

Contact Type: DPST  
 Rating: 16A 250V AC  
 Contact R: 35mΩ max  
 Insulation R: 500V DC 100MΩ min  
 Dielectric Strength: 1 Minute 1500V AC  
 Operating Temperature: -25°C ~ +85°C  
 Electrical Life: 10, 000 Cycles

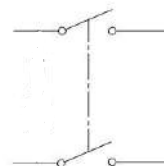
Outline Drawing



Mounting



Circuitry



**ON - OFF**