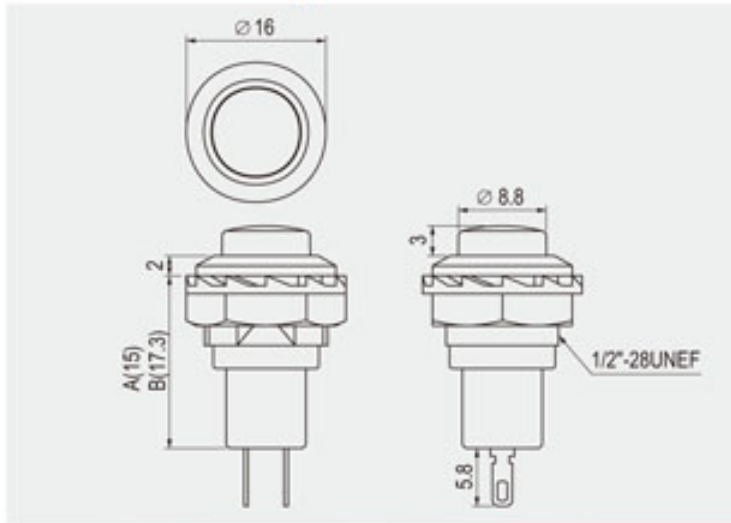


R13-502

Screw Type



Rating

3A 125V AC
1.5A 250V AC

Contact resistance

50mΩ Max

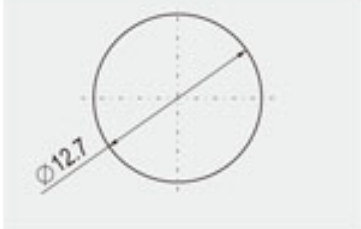
Insulation resistance

DC 500V 100MΩ Min

Dielectric strength

AC 1000V 1 minute

Cut-out



± 3 mm max

FEATURES

- * MATERIAL: Actuator and Frame are nylon (UL flame: 94V-2). Terminals are silver plated brass. Base is PBT.
- * M types are metal frames, nickel plated brass.
- * Mounted by nut.

R13-502

BODY	FUNCTION		TERMINAL
P Plastic Body 	A <p>2P SPST</p>	C <p>3P SPDT (Only for R13-502MC)</p>	0 5 SO
M Metal Body 	B <p>2P SPST</p>	<p>* () = momentary</p>	

