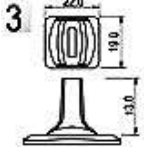


Rocker Switch

Q-10467

TYPE: **R13-290AL3R**

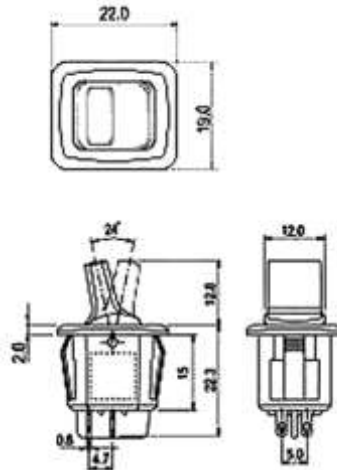
Rocker



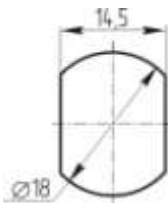
SPECIFICATIONS

Rating: 6A 125V AC; 3A 250V AC
 Contact R: 50mΩ max
 Insulation R: 500V DC 100MΩ min
 Dielectric Strength: 1 Minute 1000V AC
 Operating Temperature: -25°C ~ +85°C
 Electrical Life: 10, 000 Cycles

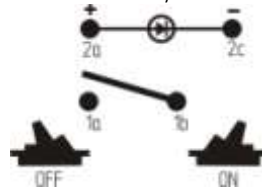
Outline Drawing



Mounting



Circuitry



**4P SPST
(LED)**