

# Push Button Switch (Anti-vandal)

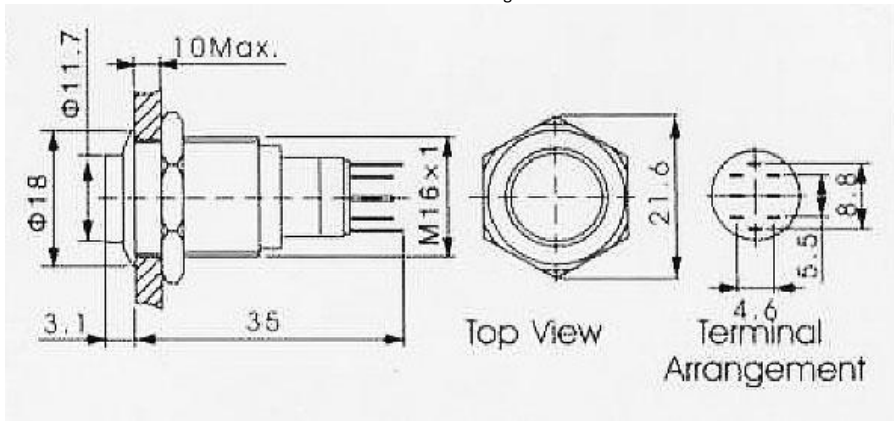
**Q-10443**

TYPE: **LA16JSH-Z-E**

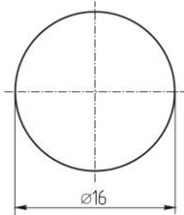
## SPECIFICATIONS

Rating: 3A 250V AC  
Contact R: 50mΩ max  
Insulation R: 2000V DC 1000MΩ min  
Dielectric Strength: 1 Minute 2000V AC  
Operating Temperature: -20°C ~ +55°C  
Electrical Life: 50, 000 Cycles  
IP Degree: IP40/IP67

Outline Drawing



Mounting



Circuitry

