

Push Button Switch (Anti-vandal)

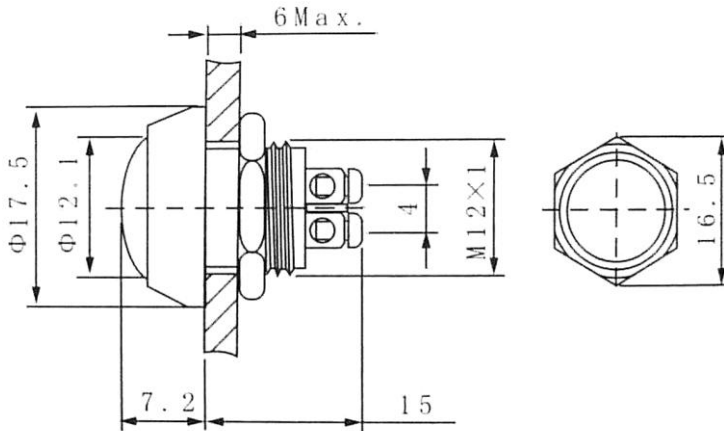
Q-10395

TYPE: **JS12B-10**

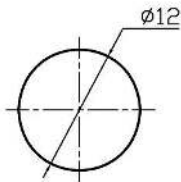
SPECIFICATIONS

Rating: 2A 36V AC
Contact R: 50mΩ max
Insulation R: 2000V DC 1000MΩ min
Dielectric Strength: 1 Minute 2000V AC
Operating Temperature: -20°C ~ +55°C
Electrical Life: 200,000 Cycles

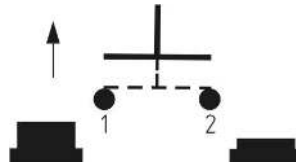
Outline Drawing



Mounting



Circuitry



OFF - (ON)