

Double-poles Illuminated Rocker Switch

Q-9828

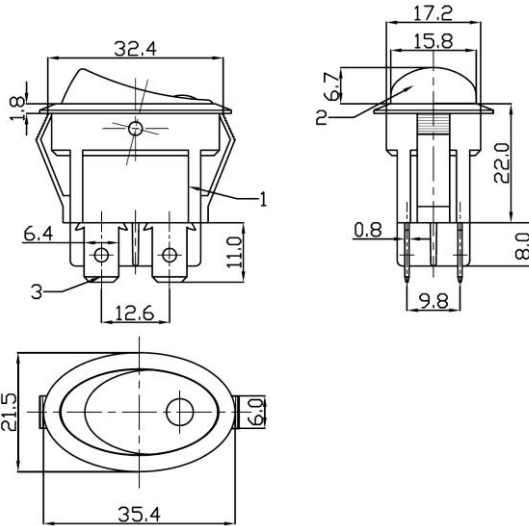
TYPE: **YSR34-21**



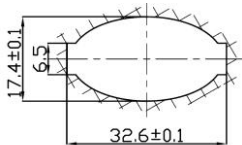
SPECIFICATIONS

Contact Type: DPST
Rating: 10A 250V AC
Contact R: 35mΩ max
Insulation R: 500V DC 100MΩ min
Dielectric Strength: 1 Minute 2000V AC
Operating Temperature: -25°C ~ +85°C
Electrical Life: 10, 000 Cycles

Outline Drawing

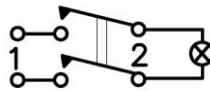


Mounting



Panel Installation
Thickness 1 ~ 4mm

Circuitry



ON - OFF