

Q-9148

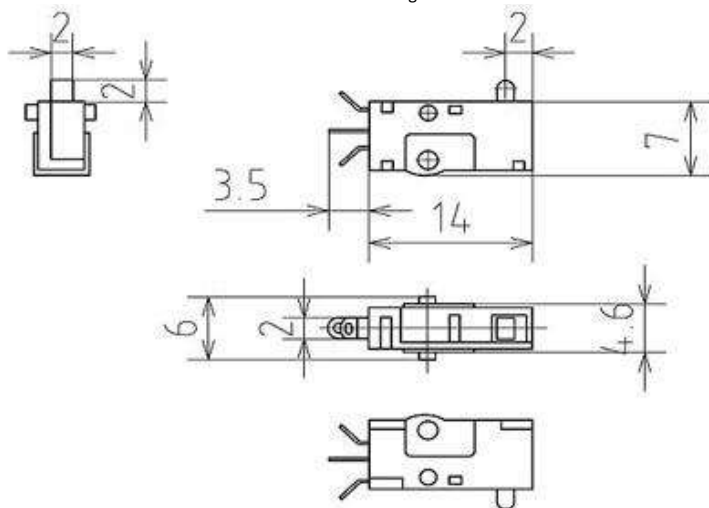
TYPE: **MSS-6**



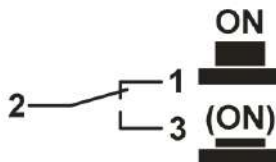
SPECIFICATIONS

Contact Type	SPDT
Rating	DC 50V, 0,3A
Contacts Resistance	30mΩ Max
Insulation Resistance	100MΩ Min
Minimum Load	DC 250V
Dielectric Strengths	AC 250V / 1 minute
Life Test	100 000 cycles/ minute
Operating temperature range	-40°C to +85°C

Outline Drawing



Circuitry



(SPDT)=Bкк1-(Bкк1)=ON-(ON)=ON-(OFF)/OFF-(ON)