

# Push Switch

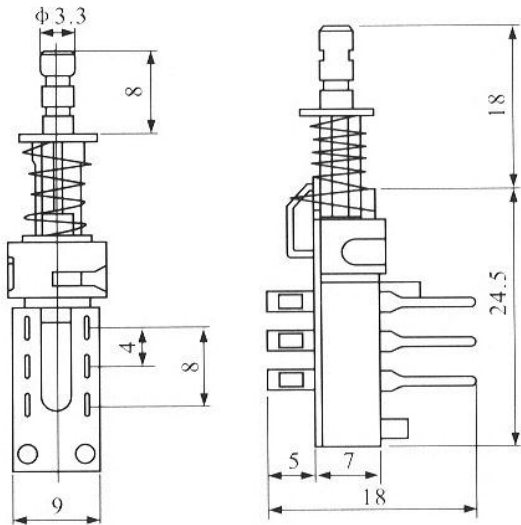
**Q-2728**

TYPE: **KZJ2x2-B**

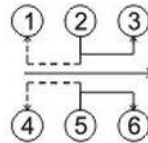
## SPECIFICATIONS

Rating: 1A 125V AC  
Contact R: 35mΩ max  
Insulation R: 500V DC 100MΩ min  
Dielectric Strength: 1 Minute 1500V AC  
Operating Temperature: -25°C ~ +85°C  
Electrical Life: 10, 000 Cycles

Outline Drawing



Circuitry



**ON - (ON)**