



Name	SB039 IP65 on-off ϕ 20.2mm
Rated Range	10 (6)A 250VAC T8510A 125VAC, 12A
Contact resistance	$\leq 50\text{m}\Omega$
Insulation resistance	$\geq 1000\text{M}\Omega$
Compressive strength	1500VAC 1Min
Electrical life	10000 time
Mechanical life	10000 time
Press power	4N
Operating temperature	$-25^{\circ}\text{C} \sim +105^{\circ}\text{C}$
Degree of protection	IP65
Hypothermia	-25°C

Weldability

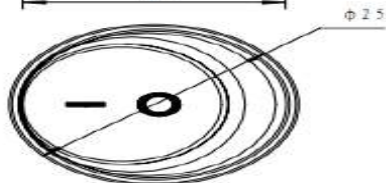
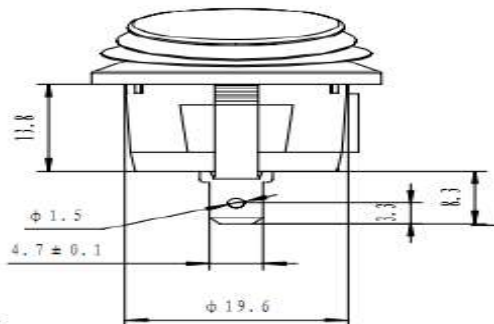
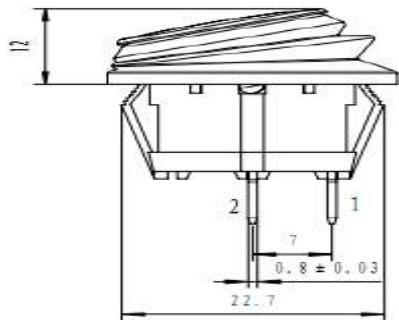
$\leq 260^{\circ}\text{C}$, $\leq 3\text{S}$

Resistance to soldering heat pick

$\leq 260^{\circ}\text{C}$, $\leq 3\text{S}$

Material

PA66



电原型图

1 ——— 1

外壳: 黑色 按钮: 黑色 标记: 白色