

Push Button Switch

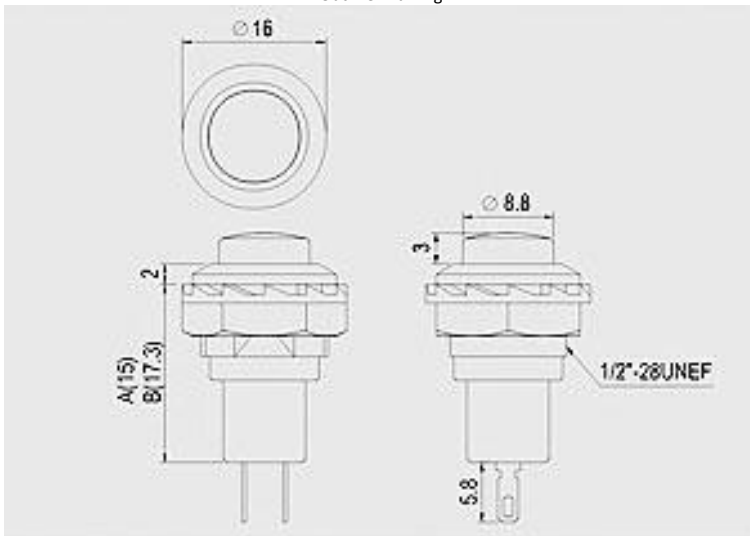
Q-1929

TYPE: **R13-502**

SPECIFICATIONS

Rating: 1,5A 250V AC
 Contact R: 50mΩ max
 Insulation R: 500V DC 100MΩ min
 Dielectric Strength: 1 Minute 1000V AC
 Operating Temperature: -25°C ~ +85°C
 Electrical Life: 10, 000 Cycles

Outline Drawing



Mounting



Circuitry

