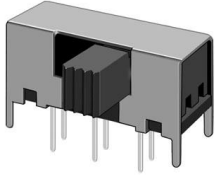


# Slide Switch

**Q-1202**

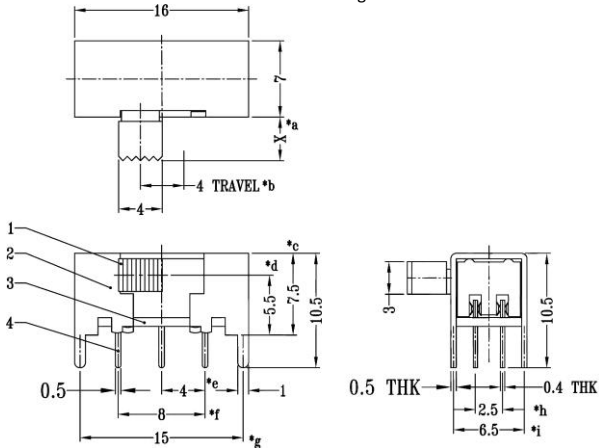
TYPE: **SK-22H13**



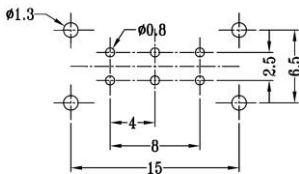
## SPECIFICATIONS

Contact Type	DPDT
Pin Width	4 mm
Rating	DC 50V, 0.3A
Contacts Resistance	10mΩ
Insulation Resistance	1000MΩ
Minimum Load	DC 500V
Dielectric Strengths	AC 1000V / 1 minute
Life Test	10 000 cycles/ minute
Material	Plastic & Metal

Outline Drawing



Mounting



Circuitry

