

Rocker Switch

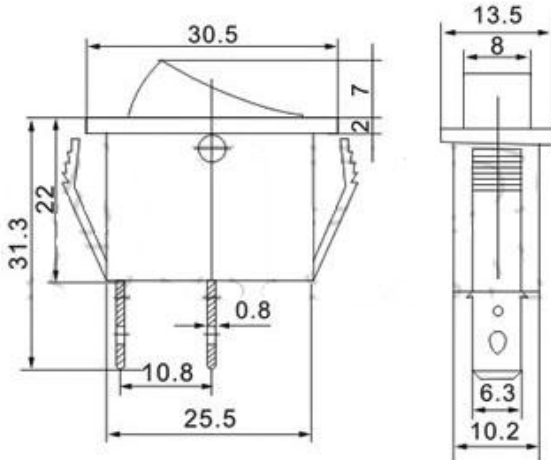
Q-649

TYPE: **KCD3-101**

SPECIFICATIONS

Contact Type: SPST
Rating: 15A 250V AC
Contact R: 35mΩ max
Insulation R: 500V DC 100MΩ min
Dielectric Strength: 1 Minute 1500V AC
Operating Temperature: -25°C ~ +85°C
Electrical Life: 10, 000 Cycles

Outline Drawing



Mounting

Circuitry

