

# Push Button Switch

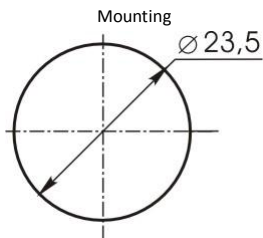
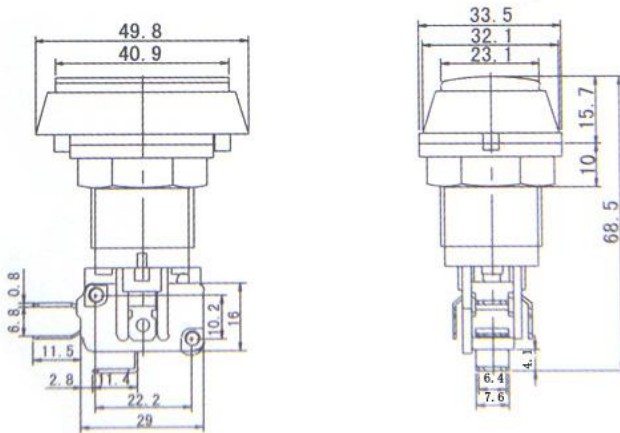
**Q-641**

TYPE: **PB-300F**

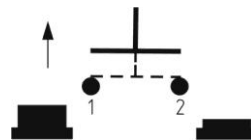
## SPECIFICATIONS

Rating: 5A 250V AC  
Contact R: 35mΩ max  
Insulation R: 500V DC 100mΩ min  
Dielectric Strength: 1 Minute 1500V AC  
Operating Temperature: -25°C ~ +85°C  
Electrical Life: 10, 000 Cycles

Outline Drawing



Circuitry



**OFF - (ON)**

**5P SPDT**

**(LED)**