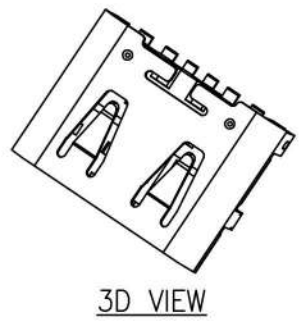
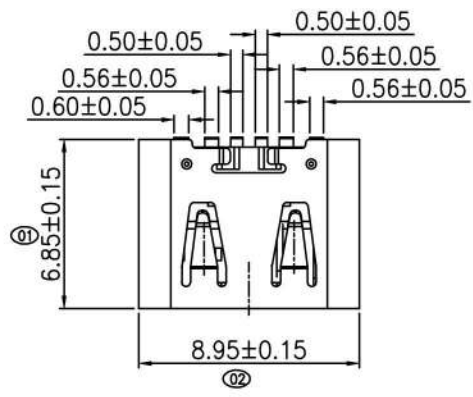


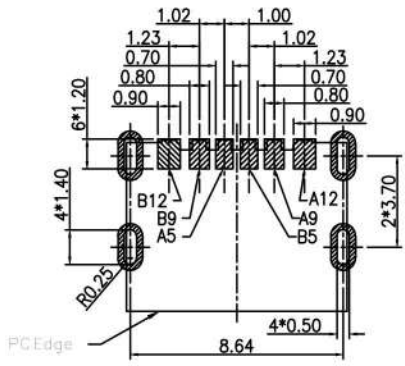
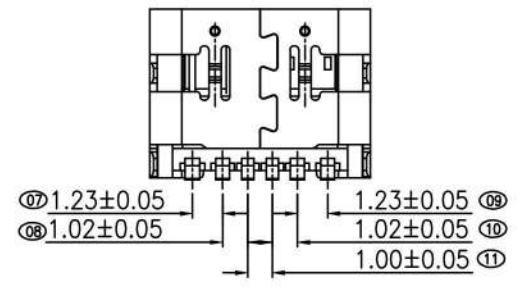
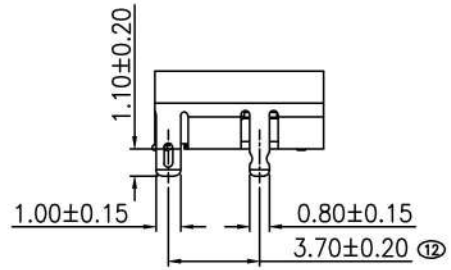
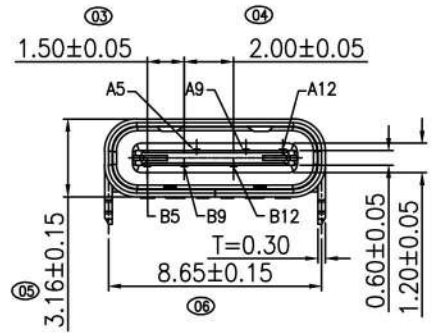
REV.	MODIFICATION	ECN No.	NAME	DATE
A0				2017-02-24



B12	GND
B9	VBUS
B5	CC2
A5	CC1
A9	VBUS
A12	GND
PIN	SIGNAL NAME

NOTES:

- MATERIAL:
  - MOLDING: LCP UL94 V-0
  - CONTACT: COPPER ALLOY.
  - GOLD PLATED Min ON CONTACT AREA, 100u"
  - Min TIN (LEAD FREE) ON SOLDER AREA,
  - SHELL: SUS304-H, T=0.30±0.03mm
  - 50u" NICKEL PLATING OVER ALL.
- MECHANICAL:
  - INSERTION: 5~20N.
  - EXTRACTION: 8~20N AFTER TEST.
  - DURABILITY: 10000 CYCLES
- ELECTRICAL:
  - CURRENT: 5A FOR VBUS;
  - 1.25A FOR GND PIN.
  - 0.25A FOR OTHER.
  - VOLTAGE: 20 V MAX
  - WITHSTANDING VOLTAGE: 100V AC R.M.S.
  - CONTACT RESISTANCE: 40mΩ MAX.
  - INSULATION RESISTANCE: 100MΩ MIN.
- ENVIRONMENTAL
  - TEMPERATURE RANGE -25°C ~ +85°C



RECOMMENDED PCB LAYOUT  
TOLERANCE: UNSPECIFIED ±0.05mm

.X: ±0.35	.X': ±1.5'	INTENDED USE:	
.XX: ±0.25	.XX': ±1.0'	CONNECTOR	
.XXX: ±0.20	.XXX': ±0.5'	APPD.:	PART NO.: SEE TABLE
MAT'L: SEE NOTES		CHKD.:	DWG. NO.: T16-000X
FINISH:		DR.: Len.Song	SCALE: 1:1
			PAGE: 1/1
			UNIT: mm
			REV.: A0