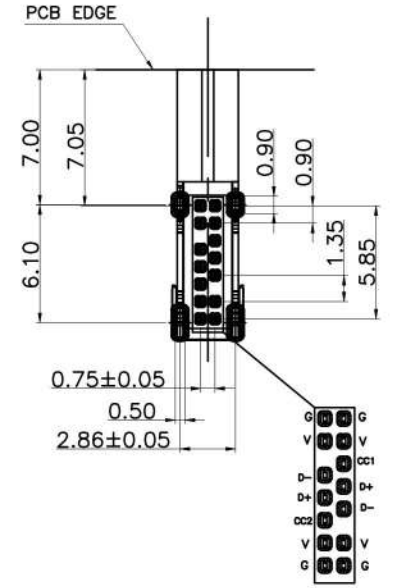
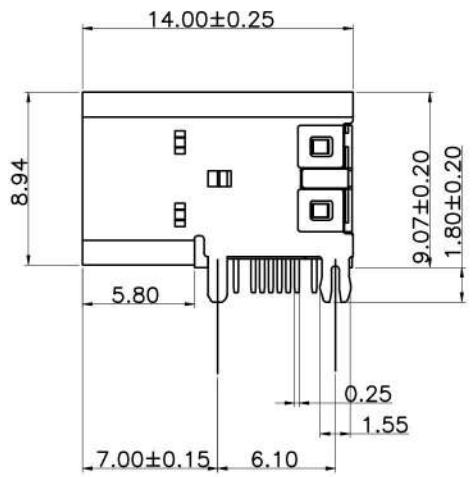
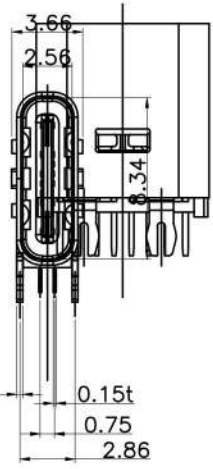
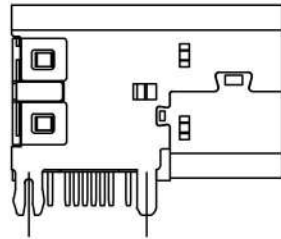
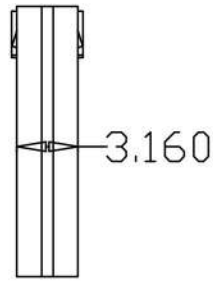
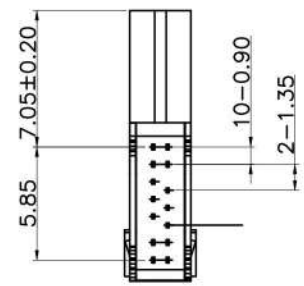


CUSTOMER DRAWING



RECOMMENDED P.C.B. LAYOUT
TOLERANCE UNSPECIFIED ±0.05mm

NOTE :
TC02FD014SX02ZA —
1
1. Seletive Plating
S1:5u" Gold In Contact Area
100u" Tin In Tail Area
S2:0.8u" Gold In Contact Area
100u" Tin In Tail Area
S3:10u" Gold In Contact Area
100u" Tin In Tail Area
S4:15u" Gold In Contact Area
100u" Tin In Tail Area
S5:30u" Gold In Contact Area
100u" Tin In Tail Area



ITEM:USB3.1 TYPE-C 14PF-033

7				
6				
5				
4	TYPE C MD	HIGH TEMP	BLACK	UL 94V-0
3	CENTER PIECE	STAINLESS STEEL	—	NO Plated
2	TYPE C TERMINAL	COPPER ALLOY	—	Gold Plated
1	SHELL	STAINLESS STEEL	—	Ni Plated
NO.	DESCRIPTION	MATERIAL	COLOR	REMARK

						30°		±0.50	DRAW	PARTNO.	TC02FD014SX02ZA						
						10°30		±0.30	DESIGN	DRAWMANE							
						°10		±0.15	CHECK	DRAWNO.	RDA170912-001		REV.	PA			
ECN(DCN) NO.	REV.	DESCRIPTION	DATE	CHANGE	APPRO.	GENERAL TOLERANCE UNLESS OTHERWISE NOTED		±2°	APPRO.	UNIT	mm	SCALE	1:1	PAGE	1of1	VIEW	