

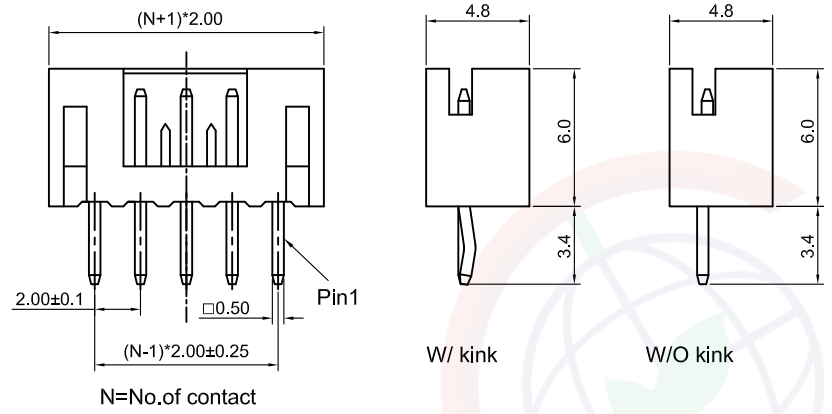
The information provided herein is from CONNELY Electronic Co., Ltd. and is confidential. Any disclosure to a party other than the recipient is prohibited. The intellectual properties and its rights contained herein, including but not limited to, trademarks, patents, copyrights, trade secrets, and technical know-how, are owned exclusively by CONNELY or its affiliates. Unauthorized use or reproduction of this document in any format or manner, CONNELY may enforce its intellectual property rights at its own discretion; failures or delays to exercise such rights does not constitute a waiver of such rights.

1 2 3 4 5 6 7 8

REV.	DESCRIPTION	DRAWN	CHECKED	APPROVED
A	NEW RELEASE	LJH 05/09/05'		LJC 05/09/05'
B	DRAWING UPDATE	JLZ 06/15/16'	HZW 06/15/16'	LJC 06/15/16'
D	DRAWING UPDATE	JLZ 10/15/21'		

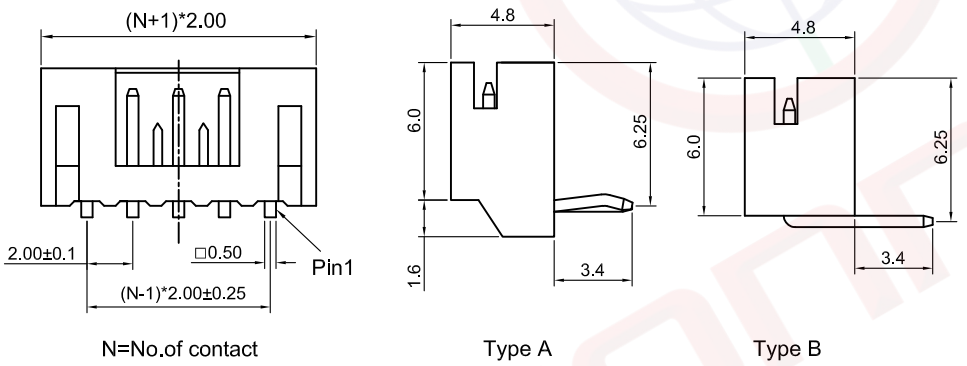
A B C D E F G H

Male V/T type



N=No.of contact

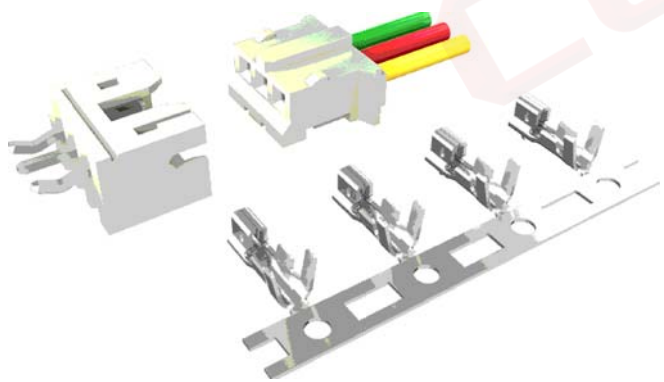
Male Right Angle



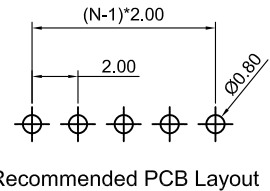
N=No.of contact

Type A

Type B



(Series Image-Reference Only)

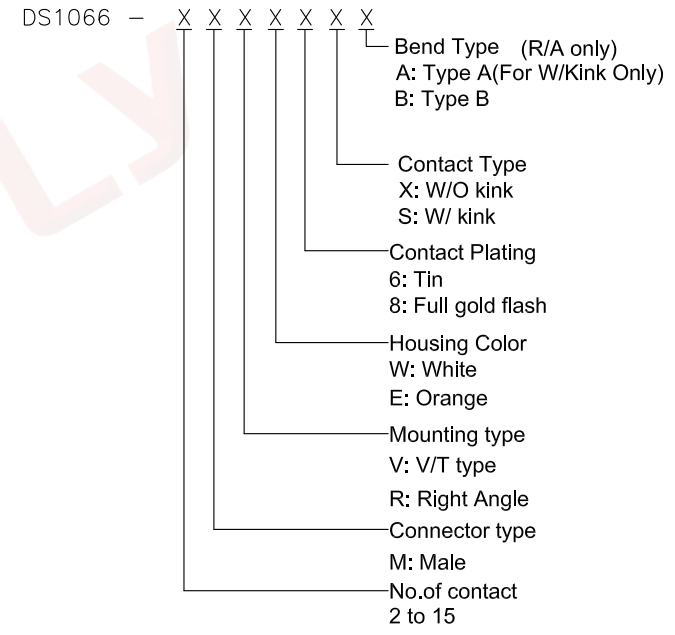


Recommended PCB Layout

NOTES:

- Main specifications
 - Housing material: Nylon 66
 - Wire range: AWG#30~#24
 - Rated voltage: 100V
 - Rated current: 2A(24AWG)
 - Contact resistance: 30mΩ Max
 - Insulation resistance: 1000MΩ Min
 - Withstanding voltage: 500V,AC 1 minute
 - Temperature range: -25 ~ +85°C
 - Recommend PC board thickness:1.6mm

2. Product number code:



GENERAL TOLERANCE		ANGLE TOLERANCE	
X.	±0.60	X.	±5°
.X	±0.38	.X	±3°
.XX	±0.25	.XX	±2°

PROJECTION	TITLE	P.C.B CONNECTOR 2.0mm PH TYPE	
UNITS	mm		
SHEET SIZE	A4	SERIES	DS1066 SERIES

DRAWING TYPE	CUSTOMER		
SCALE	1:1	SHEET	1 OF 3
DRAWING NO.	C-DS1066-XXXXXXX-D		

晨翔电子有限公司

CONNFLY CONNELY ELECTRONIC CO. LTD

1 2 3 4 5 6 7 8