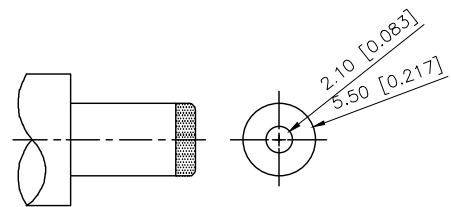
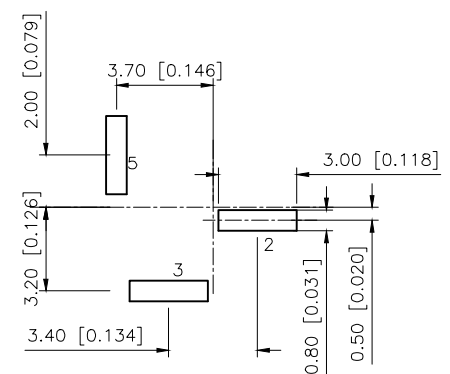
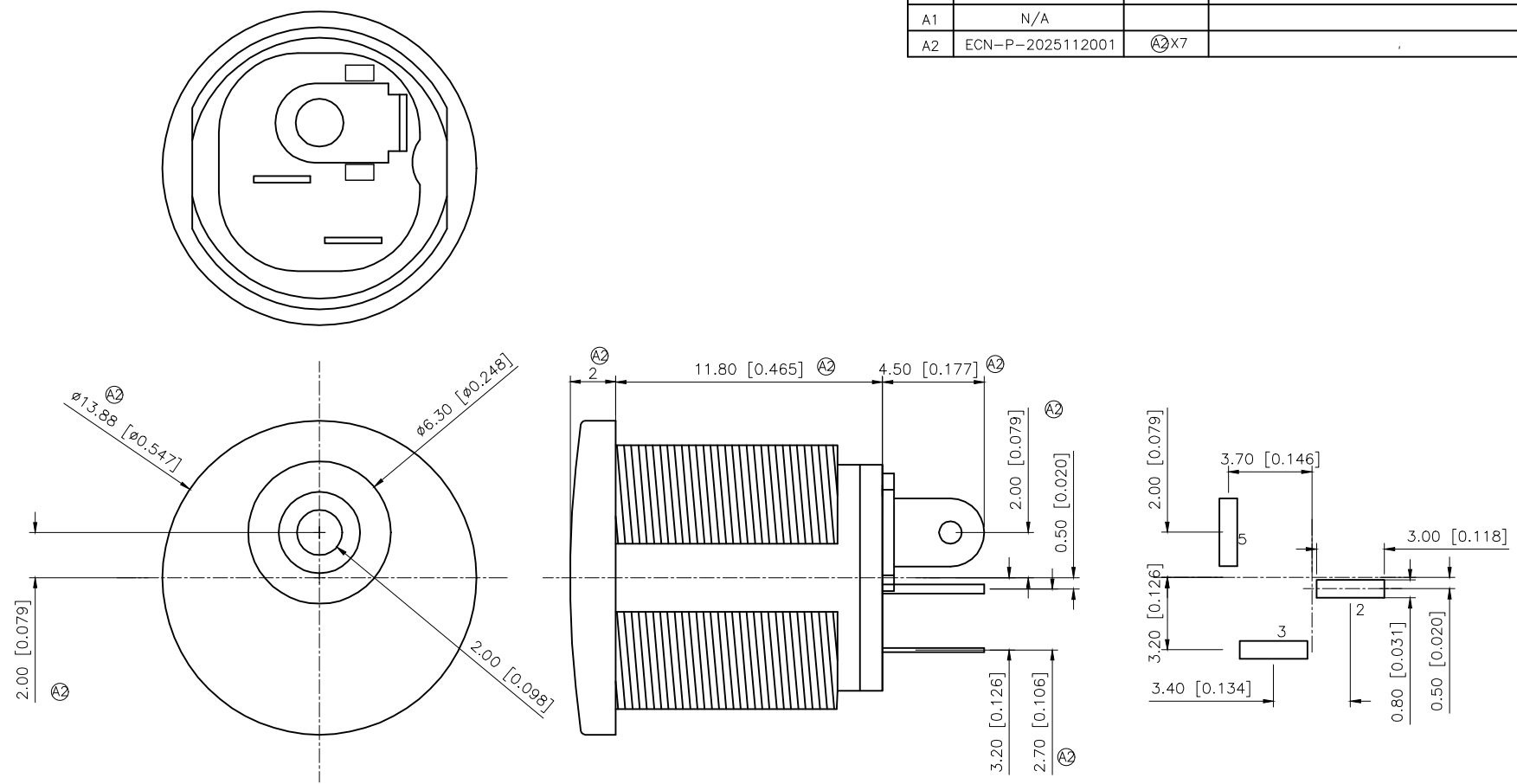


REVISIONS					
REV.	ECN NO.	LOCATION	DESCRIPTION	DATE	DESIGN
A1	N/A			2025.07.01	
A2	ECN-P-2025112001	ⒶX7		2025.11.20	

SCHEMATIC	
Model	DC-022
Center Pin	Ø2.0 mm
	Ø2.5 mm



MATING PLUG
Jack Insertion Depth: 9.0 mm

NO	PAPT NAMF	MATERIAL	PLATING
5	Pin	HPB50	Tin
4	Tip spring	SUS II=0.2	Tin
3	Shunt spring	C2680 T=0.3	Tin
2	Rermdnai	C2680 T=0.3	Black
1	Housing	PBT	Black

AuGLAR	±5°
X.	±0.40
X.x	±0.30
X.xx	±0.20
X.xxx	±0.15
UNSPECIFIED TOLERANCES	

DESIGN	VIEW:	MODEL TYPE: DC POWER JACK
CHECKED	UNIT: mm/in	PART NO.: DC-022
APPROVED	SIZE: A4	DWG NO.:
	SCALE	PAGE
	N/A	1/1
		REVISION
		A2