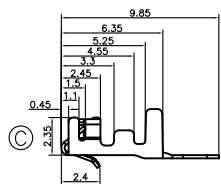


Female TERMINAL

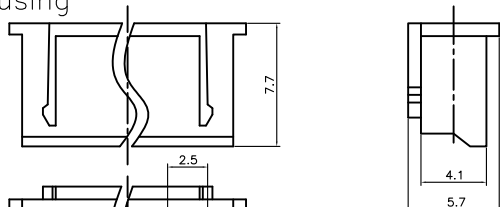
T-DS1069-S C 6 0 0 Ⓣ  
 Contact Plating  
 6: Tin



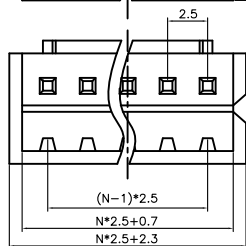
Female Terminal

Wire Range		O.D of Wire
Section Area (mm <sup>2</sup> )	AWG#	mm
0.08~0.33	28~22	1.2~1.9

Female Housing



N=No.of contact



I-DS1069-S C W 0 X Ⓣ  
 No.of contact  
 02~20

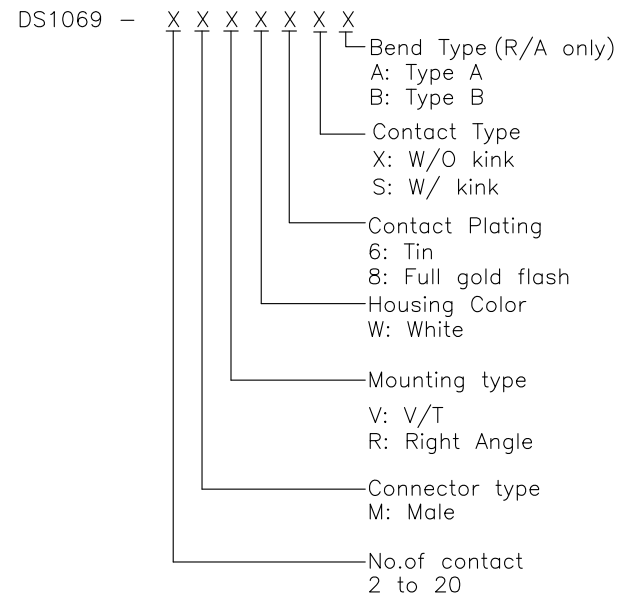
REV.	DESCRIPTION	DRAWN	CHECKED	APPROVED
A	NEW RELEASE	LJH 06/28/05'	~	LJC 06/28/05'
B	ADD Bend type	LJC 01/17/11'	~	LJC 01/17/11'
C	Terminal Change	JLZ 10/07/14'	~	LJC 10/07/14'
D	ADD P/N CODE Ⓣ	JLZ 01/30/15'	~	

NOTES:

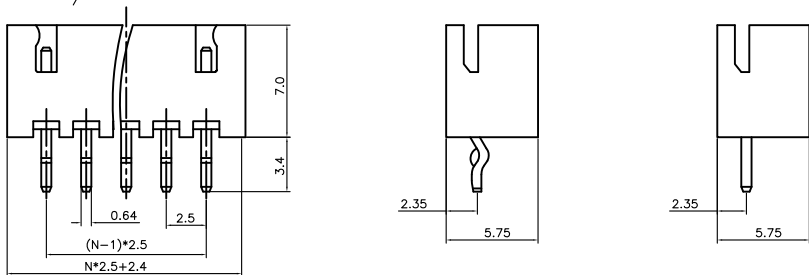
1. MAIN SPECIFICATIONS

- . Housing material: NYLON 66
- . Wire range: AWG#28~#22
- . Rated voltage: 250V
- . Rated current: 1A
- . Contact resistance: ≤ 30mΩ
- . Insulation resistance: ≥ 1000MΩ
- . Withstanding voltage: 500V,AC 1 minute
- . Temperature range: -25 ~ +85°C
- . Recommend PC board thickness:1.6mm

2. PRODUCT NUMBER CODE:



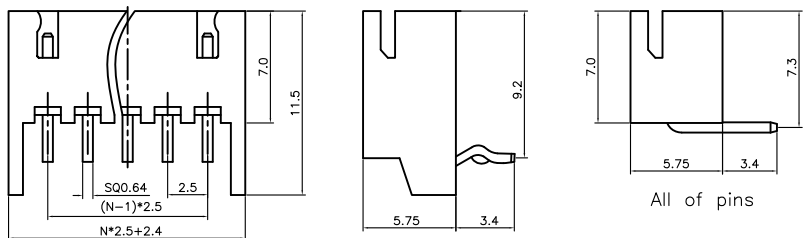
Male V/T TYPE



W/ kink

W/O kink

Male Right Angle



2-7(include) pins

Type A

Type B

N=No.of contact

GENERAL TOLERANCE		ANGLE TOLERANCE	
X.	±0.60	X.	±5°
.X	±0.38	.X	±3°
.XX	±0.25	.XX	±2°

PROJECTION	TITLE
mm	P.C.B CONNECTOR 2.5mm XH TYPE
A4	SERIES DS1069 SERIES

DRAWING TYPE	CUSTOMER
SCALE	1:1 SHEET 1 OF 1
DRAWING NO.	C-DS1069-XXXXX-D

晨翔电子有限公司  
**CONNFLY CONNFLY ELECTRONIC CO. LTD**