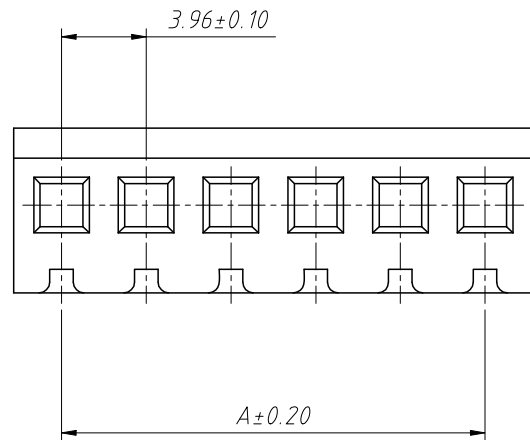


RoHS Compliance



Pins	Dimensions		Pins	Dimensions	
	A	B		A	B
02	3.96	8.43	12	43.56	48.03
03	7.92	12.39	13	47.52	51.99
04	11.88	16.35	14	51.48	55.95
05	15.84	20.31	15	55.44	59.91
06	19.80	24.27	16	59.40	63.87
07	23.76	28.23	17	63.36	67.83
08	27.72	32.19	18	67.32	71.79
09	31.68	36.15	19	71.28	75.75
10	35.64	40.11	20	75.24	79.71
11	39.60	44.07			

Material:

Housing:PA66,UL94V-2

Electrical Characteristics:

Rated Current:7.0AMP

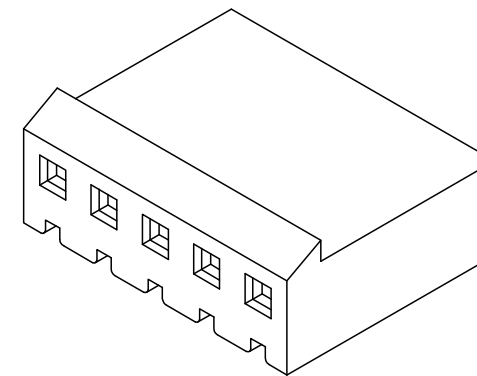
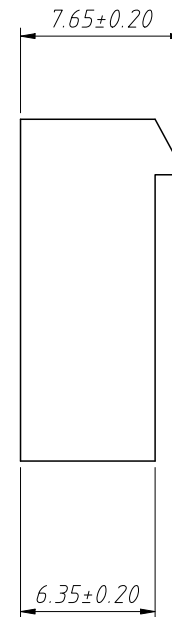
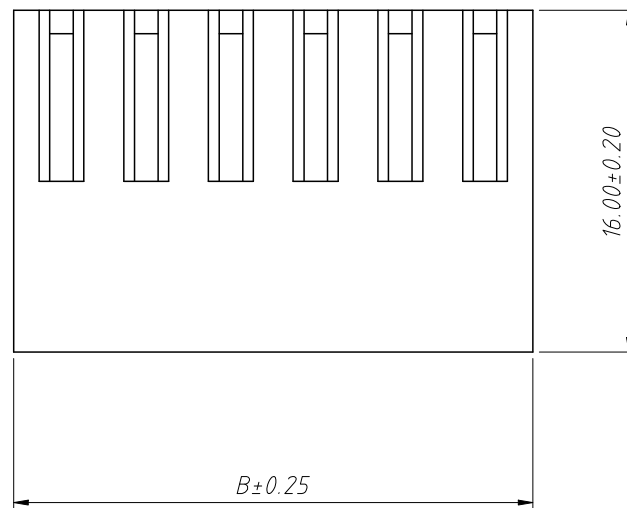
Voltage rating:250V AC,DC

Temperature range:-25°C ~ +85°C

Insulator Resistance:1000M Ω Min

Withstanding Voltage:1500V AC/minute

Contact Resistance:20m Ω Max



Order Information:

L-KLS1-3.96-XX-H

L: RoHS

Pitch:3.96mm

XX-No.of 02~20pins

Type:

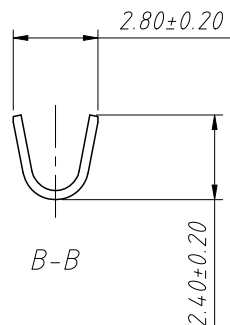
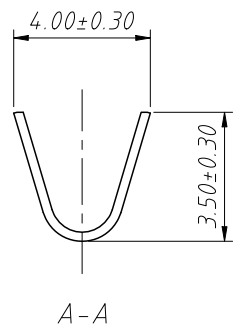
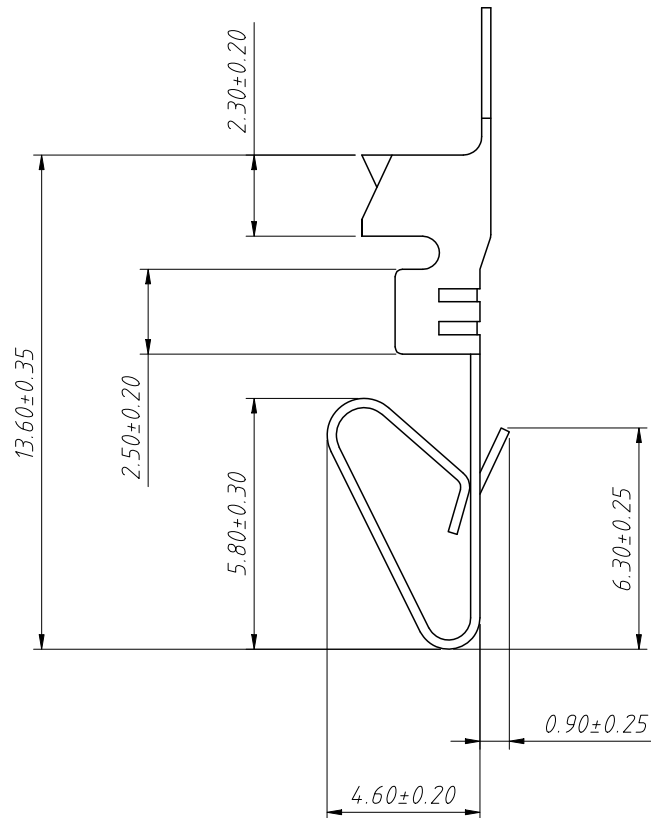
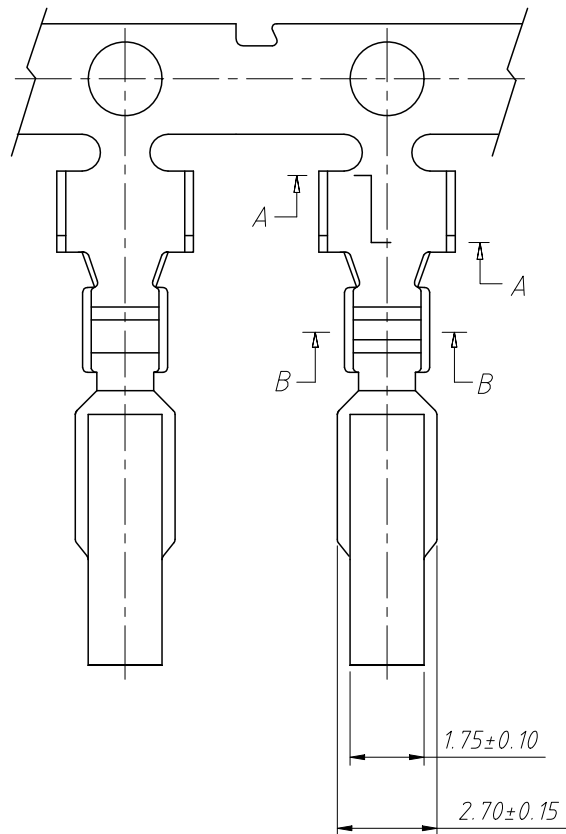
H-Hosing T-Terminal

S-Straight male pin

R-Right angle male pin

ANGLE TOLERANCE	PROJECTION	Description:	3.96mm Pitch KK396 KK2139
$\pm 3^\circ$			Wire To Board Connector
GENERAL TOLERANCE	UNITS	mm	KLS P/N: L-KLS1-3.96-XX-H
x.x ± 0.30	SHEET SIZE	A4	NingBo KLS ELECTRONIC CO.,LTD.
x.xx ± 0.20	Draw:	Daniel	
x.xxx ± 0.10	Check:	Daniel	

RoHS Compliance

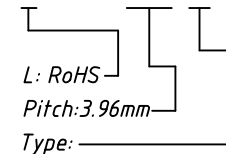


Material:
Terminal: Brass
Plating: Tin plated
Applicable wires: AWG #24 ~ # 18
Insulation O.D: 2.8mm
Thickness: 0.25mm
Qty/reel: 5000 pcs

Electrical Characteristics:
Rated Current: 7.0AMP
Voltage rating: 250V AC,DC
Temperature range: -25°C ~ + 85°C
Insulator Resistance: 1000MΩ Min
Withstanding Voltage: 1500V AC/minute
Contact Resistance: 20mΩ Max

Order Information:

L-KLS1-3.96-T



L: RoHS

Pitch: 3.96mm

Type:

H-Hosing T-Terminal

S-Straight male pin

R-Right angle male pin

ANGLE TOLERANCE	PROJECTION	Description:	3.96mm Pitch KK396 KK2139	
±3°			Wire To Board Connector	
GENERAL TOLERANCE	UNITS	mm	KLS P/N: L-KLS1-3.96-T	
x.x ±0.30	SHEET SIZE	A4	NingBo KLS ELECTRONIC CO.,LTD.	
x.xx ±0.20	Draw:	Daniel		2021-01-11
x.xxx ±0.10	Check:	Daniel		2021-01-11