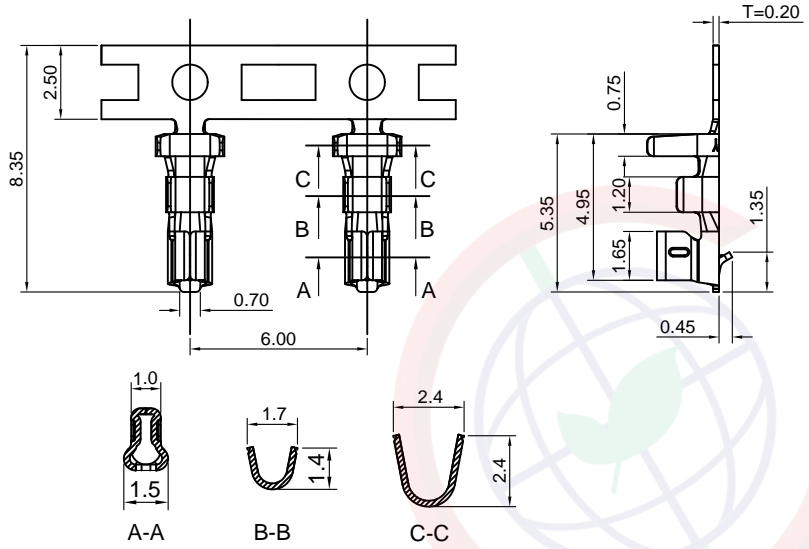
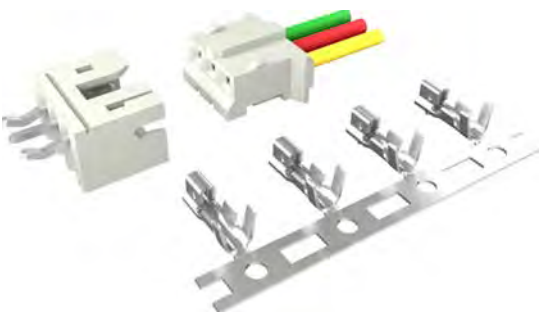
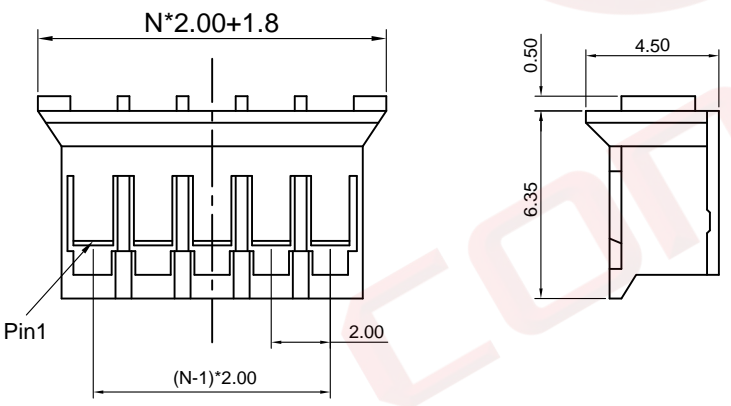


The information provided herein is from CONNELY Electronic Co., Ltd. and is confidential. Any disclosure to a party other than the recipient is prohibited. The intellectual properties and its rights contained herein, including but not limited to, trademarks, patents, copyrights, trade secrets, and technical know-how, are owned exclusively by CONNELY or its affiliates. Unauthorized use or reproduction of any part of this document is strictly prohibited. CONNELY may enforce its intellectual property rights at its own discretion, failures or delays to exercise such rights does not constitute a waiver of such rights.

Female Terminal



Female Housing N=No.of Hole



(Series Image-Reference Only)

REV.	DESCRIPTION	DRAWN	CHECKED	APPROVED
A	NEW RELEASE	LJH 05/09/05'		LJC 05/09/05'
B	DRAWING UPDATE	JLZ 06/15/16'	HZW 06/15/16'	LJC 06/15/16'
D	DRAWING UPDATE	JLZ 10/15/21'		

NOTES:

- Main specifications
 - Housing material: Nylon 66
 - Wire range: AWG#30~#24
 - Rated voltage: 100V
 - Rated current: 2A(24AWG)
 - Contact resistance: 30mΩ Max
 - Insulation resistance: 1000MΩ Min
 - Withstanding voltage: 500V,AC 1 minute
 - Temperature range: -25 ~ +85°C
 - Recommend PC board thickness:1.6mm
- Product number code:

T-DS1066-S C X 0 0

Contact Plating
6: Tin

Female Terminal

Wire Range		O.D of Wire
Section Area (mm) ²	AWG#	mm
0.05-0.22	30-24	0.9-1.5

I-DS1066-S C X 0 X

No.of Hole
02~15
Color of Housing
E: Orange
W: White

GENERAL TOLERANCE		ANGLE TOLERANCE		PROJECTION		TITLE	
X.	±0.60	X.	±5°	UNITS	mm	P.C.B CONNECTOR 2.0mm PH TYPE	
.X	±0.38	.X	±3°	SHEET SIZE	A4	SERIES	DS1066 SERIES
.XX	±0.25	.XX	±2°	晨翔电子有限公司 CONNELY CONNELY ELECTRONIC CO., LTD			
DRAWING TYPE		CUSTOMER					
SCALE	1:1	SHEET	2 OF 2				
DRAWING NO.		C-DS1066-XXXXXXX-C					