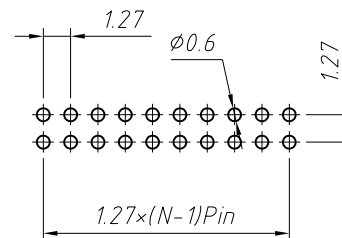
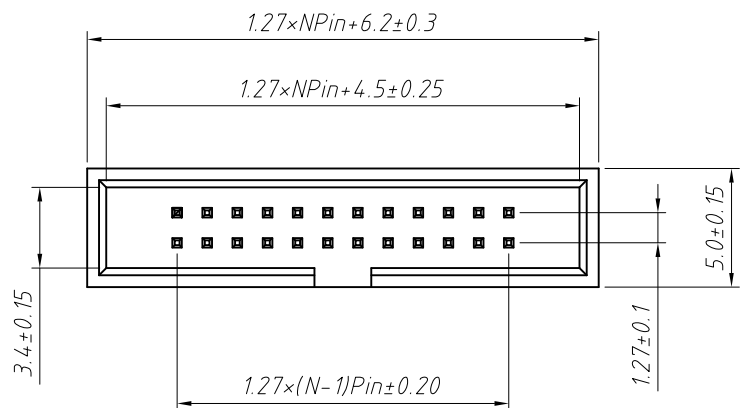


1 RoHS Compliance



Recommended P.C.B Layout (Top Side)
(PCB BOARD TOLERANCE±0.05)

Material:
Housing:PA6T or LCP,UL94V-0
Contact:Brass
Plating:Gold plated

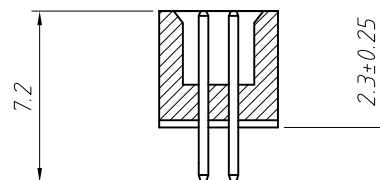
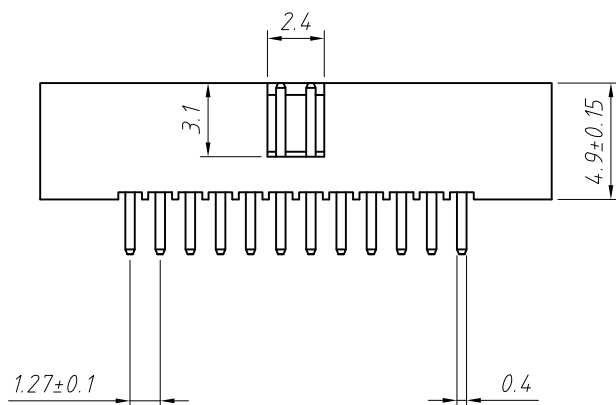
Electrical Characteristics:
Rated Current: 1.0AMP
Contact Resistance: 20mΩ Max
Withstand Voltage: 500V AC/DC
Insulator Resistance: 1000MΩ Min

Mechanical
Operating Temperature: -40°C ~ +105°C
Max.Processing Temp:230°C for 30-60 seconds (260°C for 10 seconds)

Order Information:

L-KLS1-202C-XX-S-B-□

L: RoHS
Box Header Series
202C:1.27mm Pitch
XX-No. of 06 ~ 100 pins
Type:S-Straight pin
R-Right Angle Pin T-SMT
Color:B-Black G-Gray
Material:NONE=PA6T C=LCP
D=PA9T



| | | | |
|-------------------|------------|--|----------------------|
| ANGLE TOLERANCE | PROJECTION | Description: | |
| ±3° | | 1.27x1.27mm Pitch Box Header Connector | |
| GENERAL TOLERANCE | UNITS | mm | KLS P/N: |
| x.x ±0.30 | SHEET SIZE | A4 | L-KLS1-202C-XX-S-B-□ |
| x.xx ±0.20 | Draw: | Daniel | 2018-07-10 |
| x.xxx ±0.10 | Check: | Daniel | 2018-07-10 |



NingBo KLS ELECTRONIC CO.,L.TD.