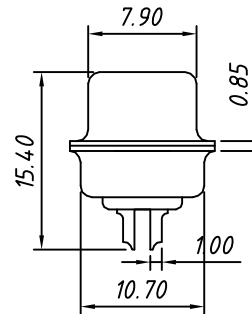
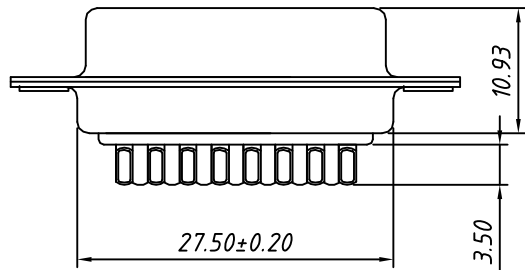
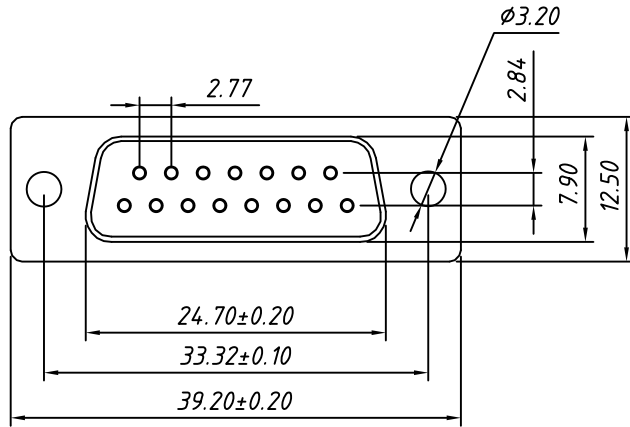


RoHS Compliant



Material:
Housing: PBT+30% Glass filled ,UL94V-0
Contacts: Brass ,
 Gold Plating on Contact Arer,
 Tin on Solder Tail.
Shell: Steel,
 Front Shell Nickel Plating,
 Back Shell Tin Plating

Electrical Characteristics:
Current Rating: 5 AMP
Insulator Resistance: 1000MΩ Min. at DC 500V
Withstanding Voltage: 500V AC (rms) for 1 minute
Contact Resistance: 20mΩ Max. Initial
Operating Temperature: -55°C ~ +105°C

Order Information

L - KLS1 - 213 - 15 - F - L
 RoHS _____
 D-SUB Connector, _____
 2 Row Solder type, Simple Terminal
 Number of Contacts _____
 Connector type: F-Female _____
 Housing Color: _____
 B-Black L-Blue W-White

GENERAL TOLERANCE	PROJECTION		Description:
X. ±0.30	UNITS	mm	D-SUB Connector, 15Pin Solder Type, Female, Simple Terminal
.X ±0.25	SCALE	1:1	
.XX ±0.20	Draw by:	Daniel	KLS P/N: L-KLS1-213-15-F-L
ANGLE TOLERANCE	Check by:	Daniel	NingBo KLS ELECTRONIC CO.,L TD.
X. ±3°	Date	2018-03-01	
.X ±2°	SHEET	1 OF 1	
.XX ±1°			