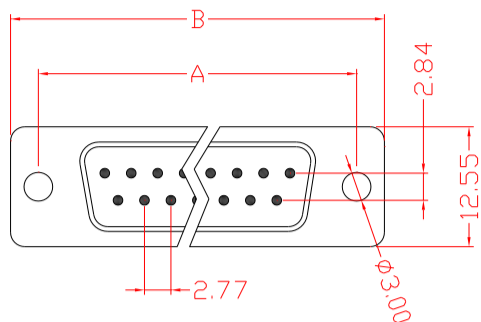


序号/RevNo.	名称/Title	文件编号/File No.
1	上铁壳	QJ/XYT-11030~11033
2	下铁壳	QJ/XYT-11034~11037
3	100M塑料件	QJ/XYT-11006~11009
4	100M端子	QJ/XYT-11001~11002



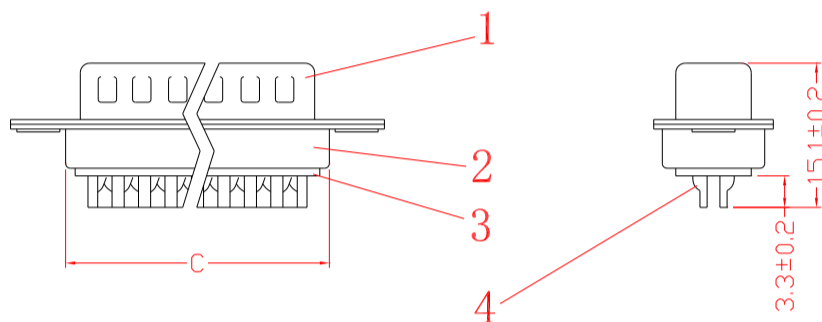
Specifications:

Contact Resistance: $30\text{m}\Omega$ max.at DC 100 mA
 Insulator Resistance: $1000\text{M}\Omega$ min.at DC 500V
 Current Rating: 5AMP

Dielectric Withstanding

Voltage: AC 1000V For 1 minute
 Operating Temperature: -55°C --- $+105^{\circ}\text{C}$
 Contact: Brass
 Housing: PBT &30% Glass Fiber(UL 94V-0)

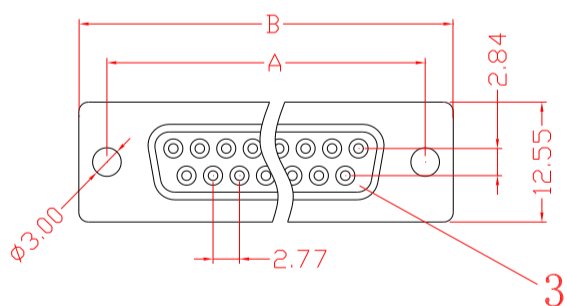
Position	A	B	C
9	24.99	30.81	19.36
15	33.32	39.20	27.64
25	47.04	53.10	41.08
37	63.50	69.50	57.38



设计/Designed by	绘图/Drawing by	审核/Checked by	批准/Approved by	未注公差 General Tolerance
				x. ± 0.2 x.' $\pm 2'$.x ± 0.1 .x' $\pm 1'$.xx ± 0.05 .xx' $\pm 0.5'$.xxx ± 0.01
		图名/Title	文件编号/File No.	
		100M产品图	QJ/XYT-12001	
		页序/Sheet		
		备注/Remark		单位/units: mm

序号/RevNo.	更改记录/Revision note	签名/Signature	日期/Date

序号/RevNo.	名称/Title	文件编号/File No.
1	上铁壳	QJ/XYT-11026~11029
2	下铁壳	QJ/XYT-11034~11037
3	100F前塑料件	QJ/XYT-11010~11017
4	100F后塑料件	QJ/XYT-11018~11025
5	100F端子	QJ/XYT-11003~11004



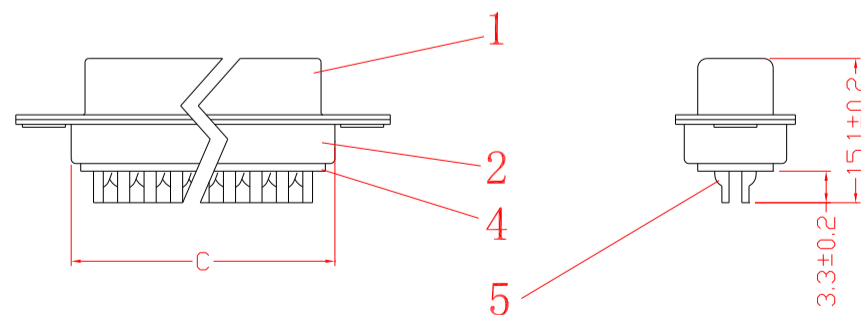
Specifications:

Contact Resistance: $30\text{m}\Omega$ max.at DC 100 mA
 Insulator Resistance: $1000\text{M}\Omega$ min.at DC 500V
 Current Rating: 5AMP

Dielectric Withstanding

Voltage: AC 1000V For 1 minute
 Operating Temperature: -55°C --- $+105^{\circ}\text{C}$
 Contact: Brass
 Housing: PBT &30% Glass Fiber(UL 94V-0)

Position	A	B	C
9	24.99	30.81	19.36
15	33.32	39.20	27.64
25	47.04	53.10	41.08
37	63.50	69.50	57.38



设计/Designed by	绘图/Drawing by	审核/Checked by	批准/Approved by	未注公差 General Tolerance
				x. ± 0.2 x.' $\pm 2'$.x ± 0.1 .x' $\pm 1'$.xx ± 0.05 .xx' $\pm 0.5'$.xxx ± 0.01
		图名/Title	文件编号/File No.	
		100F产品图	QJ/XYT-12002	
		页序/Sheet		
		备注/Remark		单位/units: mm

序号/RevNo.	更改记录/Revision note	签名/Signature	日期/Date