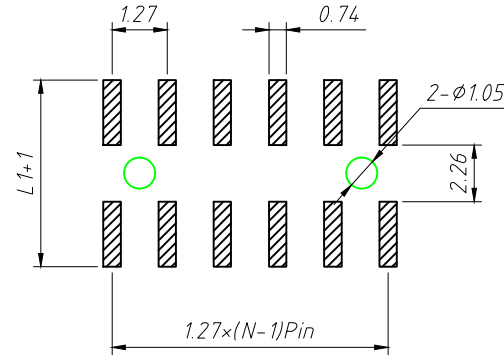
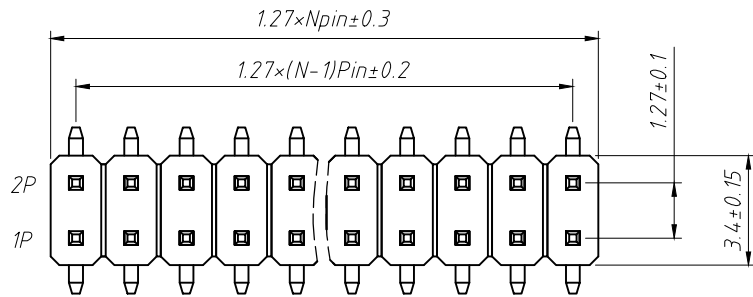
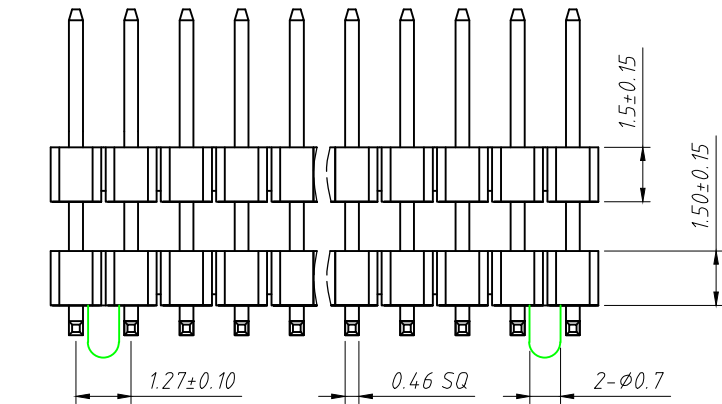


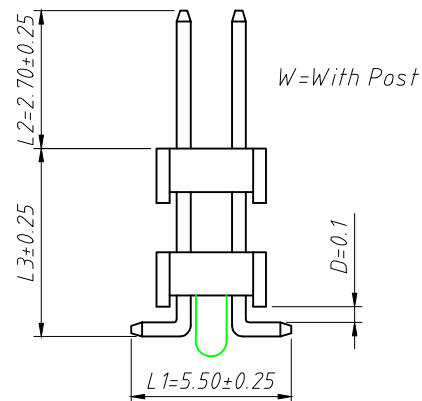
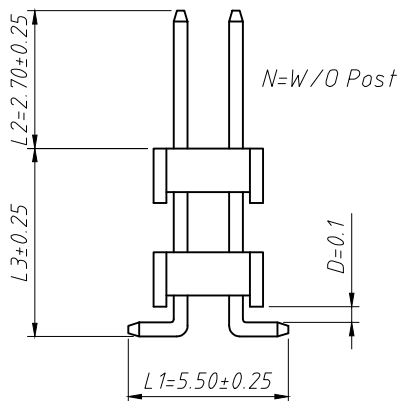
RoHS Compliance



Recommended P.C.B Layout (Top Side)
(PCB BOARD TOLERANCE±0.05)



Dimension antitheses list (mm)					
ITEM	L1	L2	L3	D	Plastic Height
Standard	5.50	2.70	---	0.10	1.50
Nonstandard	---	---	---	---	---



Material:
Standard:PA6T
Contact: Brass
Insulator:Polyester,UL94 V-0
Electrical Characteristics:
Rated Current: 1AMP
Contact Resistance: 20mΩ Max
Withstand Voltage: 500V AC/DC
Insulator Resistance: 1000MΩ Min
Mechanical
Operating Temperature: -40°C ~ +105°C
Max.Processing Temp:230°C for 30-60 seconds
(260°C for 5 seconds)

Order Information:

L-KLS1-218C-1.50-2-XX-T-L1xL2xL3xD-G0-W-R

L: RoHS
Pin Header Series
218C: 1.27mm
Plastics Height:
1.00, 1.50, 1.70, 2.00, 2.50 mm
Per Row:Double layer
Pin: No. of Pins (02~80)
Type:SMT Mounting type
Size:L1xL2xL3xD
Plating:
G0=Gold Flash G1=1u" Gold G10=10u" Gold
G15=15u" Gold G30=30u" Gold
Post:W=With Post N=W/O Post
Packing:
0=PE Bag A=Tray T=Tube
P=Tube+Cap R=Reel+Cap

ANGLE TOLERANCE	PROJECTION	Description:	1.27mm Pin Header	
±3°		Double layer, SMT Mounting type, 2xN Pin		
GENERAL TOLERANCE	UNITS	mm	KLS P/N:	L-KLS1-218C-1.50-2-XX-T-L1xL2xL3xD-G0-W-R
x.x ±0.30	SHEET SIZE	A4		
x.xx ±0.20	Draw:	Daniel	2018-07-10	NingBo KLS ELECTRONIC CO.,LTD.
x.xxx ±0.10	Check:	Daniel	2018-07-10	