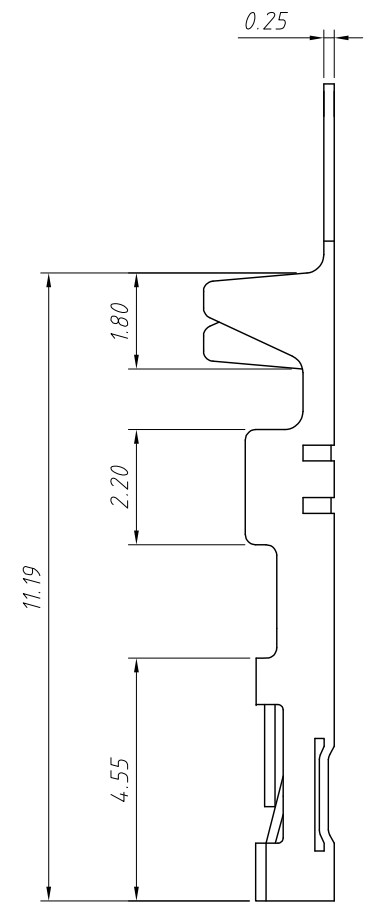
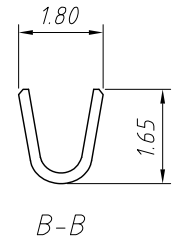
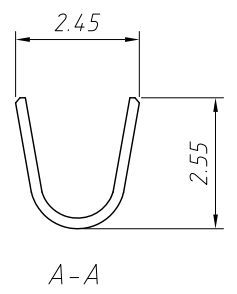
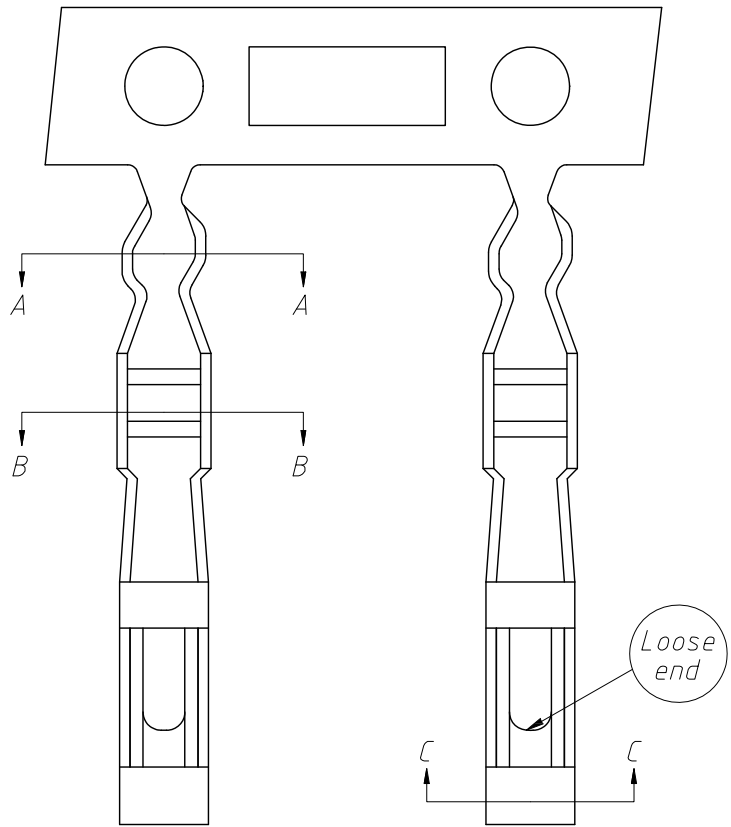
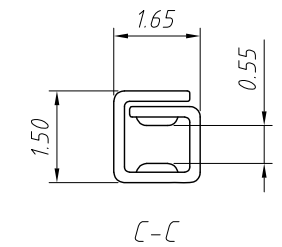


1
RoHS Compliance



Material:
 Terminal: Phosphor Bronze / Brass
 Plating: Tin plated over Gold-Flash
 Applicable wires: AWG #22 ~ # 26
 Insulation O.D: 1.63mm
 Qty/reel: 10000 pcs

Electrical Characteristics:
 Rated Current: 3.0AMP
 Voltage rating: 250V AC,DC
 Temperature range: -25°C ~ + 85°C
 Insulator Resistance: 1000MΩ Min
 Withstanding Voltage: 1500V AC/minute
 Contact Resistance: 20mΩ Max



Order Information:
 L-KLS1-540A-T
 L: RoHS
 Pitch: 2.54mm
 Type: H-Hosing T-Terminal

ANGLE TOLERANCE	PROJECTION	Description:	
±3°		2.54mm pitch Wire To Board Connectors	
GENERAL TOLERANCE	UNITS	mm	KLS P/N:
x.x ±0.30	SHEET SIZE	A4	L-KLS1-540A-T
x.xx ±0.20	Draw:	Daniel	2021-01-11
x.xxx ±0.10	Check:	Daniel	2021-01-11



NingBo KLS ELECTRONIC CO.,L TD.