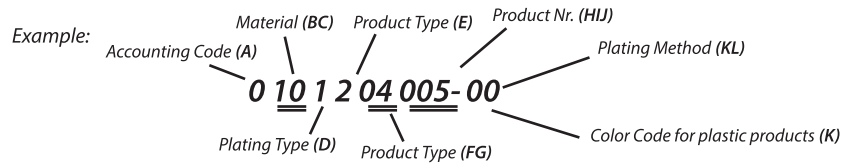


The explanations of the digits are shown below

KEY PRODUCT CODES

The products codes are expressed by a 10-digit number as shown in the example below. The explanations of the digits are shown below.



EXPLANATIONS

A- Accounting Department Code: Code for our accounting department.

BC- Material:

- 10- Brass (CuZn30)
- 11- Brass (CuZn36)
- 12- Brass (CuZn37)
- 20- Copper (E-Cu)
- 21- CuNiSi
- 22- CuFe
- 25- German Silver (CuNiZn)
- 30- Phospor Bronze (CuSn6)
- 31- Phospor Bronze (CuSn4)
- 32- Phospor Bronze+Stainless Steel (CuSn4+X10CrNi)
- 33- Phospor Bronze+Stainless Steel (CuSn6+X10CrNi)
- 34- CuSn0,1
- 41- Stainless Steel (X5CrNi)
- 50- DC
- 70- Plastic (PA6.6)-Flammability Class V2
- 72- Plastik (PVC)
- 73- Plastik (PE-I 20)
- 78- Plastic (PA6)-Flammability Class V2 V2-NF
- 79- PBT
- 83- PA6.6 (GF) %20
- 84- PA6.6 (GF) %13
- 90- PA6.6 (GF) %50
- 93- PPS (GF) %65

FG- Product Type:

- 01- Faston Type Tabs
- 02- Tubular Type Plug Terminals
- 03- Special Faston Tabs
- 04- Faston Type Terminals
- 05- Tubular Type Sockets
- 06- Special Type Terminals
- 07- Ring Terminal
- 08- Spade Tongue Terminal
- 09- Ring Tongue Terminal
- 10- End Splices
- 11- Splices with Insulation Barrel
- 12- Hat-Mate
- 40- Terminal Housing (Male)
- 41- Terminal Housing (Female)
- 42- Terminal Sleeves
- 43- Sleeved Faston Tabs
- 44- PCB Connector
- 80- Other Product

D- Plating Type:

- 0-Unplated
- 1- Tin Plated Bright
- 2- Nickel Plated
- 3- Silver Plated
- 4- Copper+Nickel Plated
- 5- Copper Plated
- 6- Tin Plated Matte
- 7- Other
- 8- Nickel+Tin Plated Bright
- 9- Nickel+Tin Plated Matte

KL- Plating Method:

- 00- Pre-Tin

K- Color Code (For Plastics)

- 0- Natural
- 1- White
- 2- Black
- 3- Red
- 4- Yellow
- 5- Green
- 6- Blue
- 7- Grey
- 8- Brown
- 9- Purple
- 10- Orange
- 11- Copper Tone

E- Product Type:

- 1- Reel
- 2- Single
- 3- Semi-finished Product
- 4- Reverse Winding

HIJ Product Number:

- 001
- 002
- 003
-
-

KEY TO TERMINAL DESCRIPTION

Terminals are described as shown in the example below. The explanations of the digits are shown below.

Example: For 6.3 Faston type receptacles:

Explanations:

(A) - Nominal value for female terminals

| NOMINAL VALUE FOR FEMALE TERMINALS | | | |
|------------------------------------|------|------|--------|
| CODE | NOM. | MALE | FEMALE |
| (A) | 0.50 | 0.50 | 0.40 |
| (B) | 0.80 | 0.80 | 0.70 |
| (C) | 0.55 | 0.80 | 0.55 |
| (D) | 0.30 | 0.40 | 0.30 |
| (E) | 0.60 | 0.80 | 0.60 |
| (F) | 0.70 | 0.80 | 0.70 |
| (G) | 0.75 | 0.85 | 0.75 |
| (H) | 0.65 | 0.80 | 0.65 |
| (S) | 0.80 | 0.85 | 0.80 |
| (N) | 0.25 | 0.50 | 0.25 |
| (P) | 0.50 | 0.50 | 0.50 |
| (J) | 0.90 | 1.0 | 0.90 |

(6.3) - The value in paranthesis is; Tab width for faston terminals (mm)
Nominal value for faston type receptacles (mm)

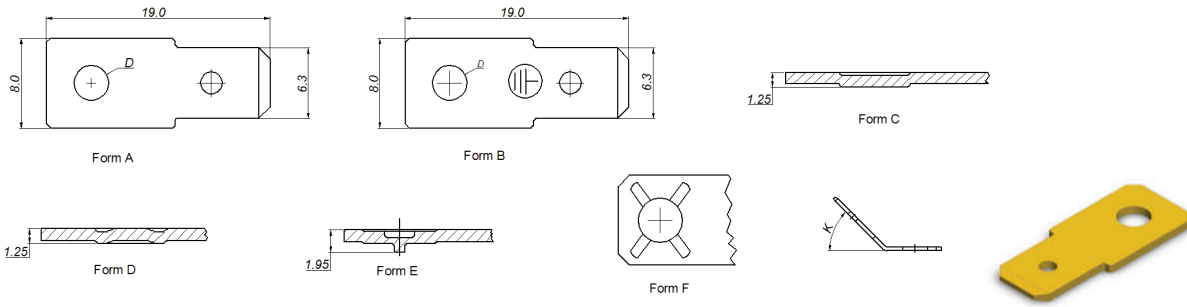


D- Product Type: D-Single R-Reel Y-Semi-finished Product

P- Material: P-Brass B-Copper M-Stainless-finished Product
F- Phospor Bronze C-DC A-German Silver D-CuFe

K- Plating Type: K- Tin Plated N-Nickel Plated
G-Silver Plated Z-Zinc Plated B-Copper Plated

Faston Male Terminals



6.3 mm

| Ürün Adı Product Name | Ürün Kodu Product Code | Malzeme Kalınlığı (mm) Material Thickness (mm) | D (mm) | K | Form | Malzeme / Material | | | Adet / SPQ Dökme / Loose |
|--------------------------|---------------------------|---|--------|-----|------|--------------------|----|----|-----------------------------|
| | | | | | | CuZn | DC | DM | |
| SFK1-00 (6.3) | 0XXXX01042 | 0,80 | - | - | A | ● | ● | ● | 1.000 |
| SFK1-03 (6.3) | 0XXXX01046 | 0,80 | Ø3,20 | - | A | ● | ● | ● | 1.000 |
| SFK1-04 (6.3) | 0XXXX01085 | 0,80 | Ø4,30 | - | A | ● | ● | ● | 1.000 |
| SFK1-05 (6.3) | 0XXXX01088 | 0,80 | Ø5,30 | - | A | ● | ● | ● | 1.000 |
| SFK1-04-T (6.3) | 0XXXX01126 | 0,80 | Ø4,30 | - | B | ● | ● | ● | 1.000 |
| SFK1-04 ZML (6.3) | 0XXXX01135 | 0,80 | Ø4,30 | - | F | ● | ● | - | 1.000 |
| SFK1-PAT (6.3) | 0XXXX01091 | 0,80 | - | - | C | ● | ● | - | 1.000 |
| SFK1-PAT1 (6.3) | 0XXXX01097 | 0,80 | - | - | D | ● | ● | - | 1.000 |
| SFK1-00-45 (6.3) | 0XXXX01043 | 0,80 | - | 45° | A | ● | ● | ● | 1.000 |
| SFK1-03-45 (6.3) | 0XXXX01044 | 0,80 | Ø3,20 | 45° | A | ● | ● | ● | 1.000 |
| SFK1-04-45 (6.3) | 0XXXX01089 | 0,80 | Ø4,30 | 45° | A | ● | ● | ● | 1.000 |
| SFK1-05-45 (6.3) | 0XXXX01086 | 0,80 | Ø5,30 | 45° | A | ● | ● | ● | 1.000 |
| SFK1-04-45-T (6.3) | 0XXXX01165 | 0,80 | Ø4,30 | 45° | B | ● | ● | ● | 1.000 |
| SFK1-PAT-45 (6.3) | 0XXXX01092 | 0,80 | - | 45° | C | ● | ● | - | 1.000 |
| SFK1-PAT1-45 (6.3) | 0XXXX01098 | 0,80 | - | 45° | D | ● | ● | - | 1.000 |
| SFK1-PAT1-45-T (6.3) | 0XXXX01183 | 0,80 | - | 45° | B+D | ● | ● | - | 1.000 |
| SFK1-PAT2-45 (6.3) | 0XXXX01194 | 0,80 | - | 45° | E | ● | ● | - | 1.000 |
| SFK1-00-90 (6.3) | 0XXXX01045 | 0,80 | - | 90° | A | ● | ● | ● | 1.000 |
| SFK1-03-90 (6.3) | 0XXXX01083 | 0,80 | Ø3,20 | 90° | A | ● | ● | ● | 1.000 |
| SFK1-04-90 (6.3) | 0XXXX01087 | 0,80 | Ø4,30 | 90° | A | ● | ● | ● | 1.000 |
| SFK1-05-90 (6.3) | 0XXXX01090 | 0,80 | Ø5,30 | 90° | A | ● | ● | ● | 1.000 |
| SFK1-PAT-90 (6.3) | 0XXXX01093 | 0,80 | - | 90° | C | ● | ● | - | 1.000 |
| SFK1-PAT1-90 (6.3) | 0XXXX01099 | 0,80 | - | 90° | D | ● | ● | - | 1.000 |
| SFK1-PAT2-90 (6.3) | 0XXXX01103 | 0,80 | - | 90° | E | ● | ● | - | 1.000 |

- Standard Part
- * Available on request

| Kaplama / Plating | | |
|-------------------|----|----|
| Sn | Ni | Ag |
| ✓ | ✓ | ✓ |