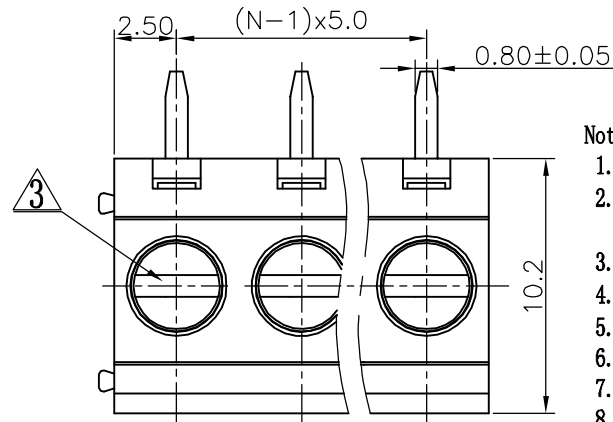
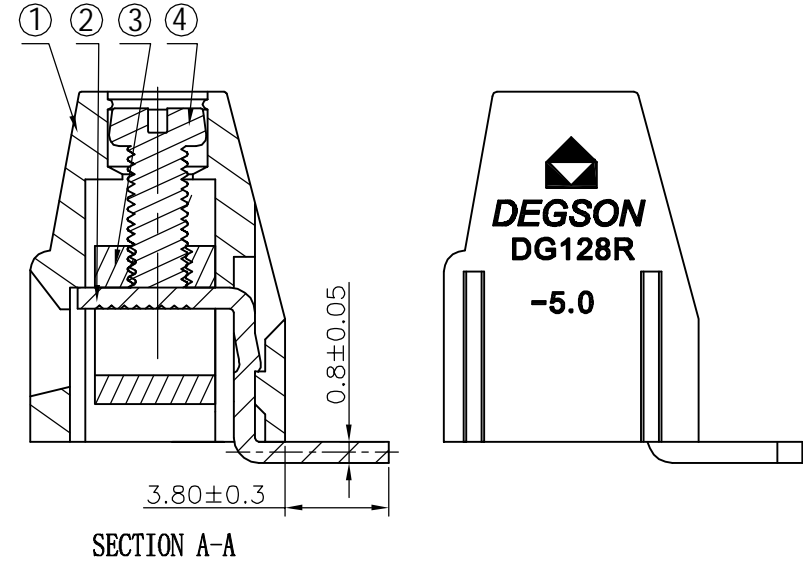
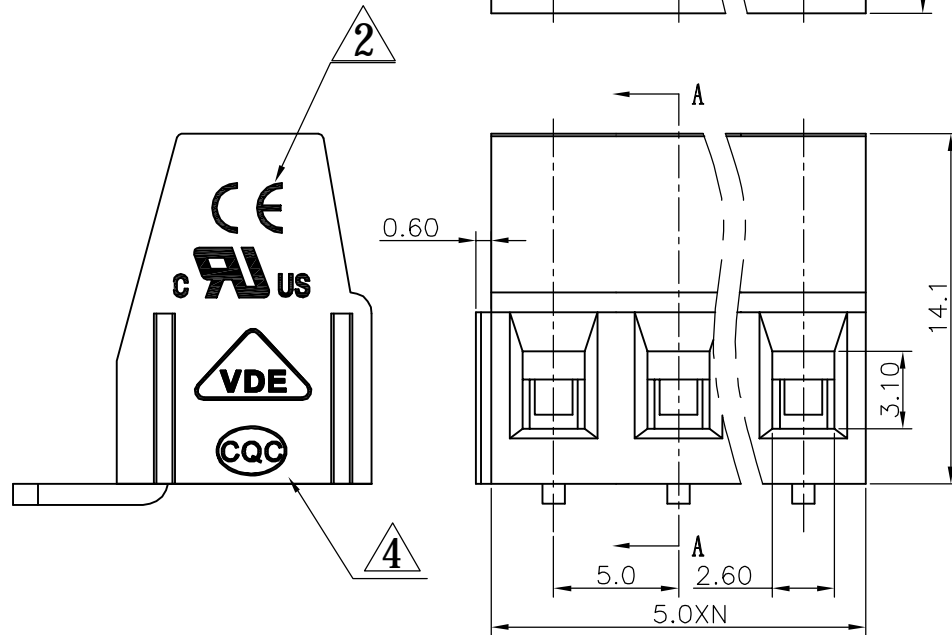


REVISION RECORD				
REV	ECN	DESCRIPTION	DRFT	DATE
△		Drawing Revise	WF	07/07/07
△		增加VDE、CE标志	LJH	11/12/07
△		图面更新	LJH	04/09/08
△		增加CQC标志	Ye j	02/10/09
△	10-0046	UL电流由10A变更为15A	Lasting	08/06/10



- Notes:
1. Pitch: 5.0mm, Poles: 2-XXP
 2. Rated voltage/current: UL 300V/15A △
VDE 250V/18A
 3. Operation temperatures: -40°C ~ +105°C
 4. Withstanding Voltage: AC2000V/1Min
 5. Insulation Resistance: 5000MΩ/DC1000V
 6. Wire Range: 12~24AWG, 2.5mm²
 7. Max. Torque Value: M2.5, 4.08kgf.cm
 8. Undimensioned Tolerances:

Pitch range in mm		Nominal dimension range in mm					
to 6	over 6 to 10	over 10 to 24	over 30 to 60	over 60 to 100	over 100 to 150	over 150	∩ □
±0.10	±0.15	±0.25	±0.2	±0.3	±0.5	±0.7	±1.0 G05/H0



1	DG128-5.0-Housing	4096A0YXXA (H)	1	PA66	UL94V-0
ITEM	NAME OF PART	NO. OF PART	Q'TY	MATERIAL	NOTES
(MM) (INCH) TOLERANCES EXCEPT AS NOTED .0 ± .00 ± .000 ±		DFTO Zhjwm DATE 04/03/06 CHKD DATE MFO DATE APPVL DATE MATERIAL : ANGLES ± 1° THIRD ANGLE PROJECTION	宁波高正电子有限公司 DEGSON [®] DEGSON ELECTRONICS CO., LTD NAME DG128R-5.0-XXP-1Y-00A(H) DRAWING NO. DG128R-5.0-E04 /PART NO. DO NOT SCALE DRAWING		
4 128"-Screws 3 128-Cage 2 128R-Pin header		S000001460 (H) X000000020 (H) 4027B00030 (H)	XX XX XX	Steel Brass Brass	Cr ³⁺ Zn Ni plated SnCe
DETACHED LISTS ANGLES ± 1° FINISH : SCALE : 1:1		G.E : SHEET 1 OF 1		SIZE A3 REV T5 08/06/10	OF 1

4	128"-Screws	S000001460 (H)	XX	Steel	Cr ³⁺ Zn
3	128-Cage	X000000020 (H)	XX	Brass	Ni plated
2	128R-Pin header	4027B00030 (H)	XX	Brass	SnCe