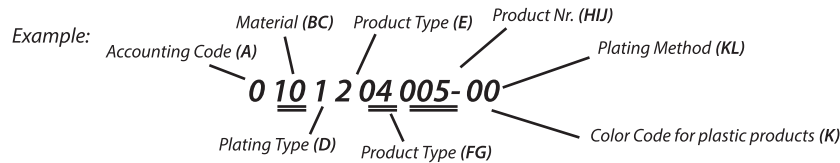


The explanations of the digits are shown below

KEY PRODUCT CODES

The products codes are expressed by a 10-digit number as shown in the example below. The explanations of the digits are shown below.



EXPLANATIONS

A- Accounting Department Code: Code for our accounting department.

BC- Material:

- 10- Brass (CuZn30)
- 11- Brass (CuZn36)
- 12- Brass (CuZn37)
- 20- Copper (E-Cu)
- 21- CuNiSi
- 22- CuFe
- 25- German Silver (CuNiZn)
- 30- Phospor Bronze (CuSn6)
- 31- Phospor Bronze (CuSn4)
- 32- Phospor Bronze+Stainless Steel (CuSn4+X10CrNi)
- 33- Phospor Bronze+Stainless Steel (CuSn6+X10CrNi)
- 34- CuSn0,1
- 41- Stainless Steel (X5CrNi)
- 50- DC
- 70- Plastic (PA6.6)-Flammability Class V2
- 72- Plastik (PVC)
- 73- Plastik (PE-I 20)
- 78- Plastic (PA6)-Flammability Class V2 V2-NF
- 79- PBT
- 83- PA6.6 (GF) %20
- 84- PA6.6 (GF) %13
- 90- PA6.6 (GF) %50
- 93- PPS (GF) %65

FG- Product Type:

- 01- Faston Type Tabs
- 02- Tubular Type Plug Terminals
- 03- Special Faston Tabs
- 04- Faston Type Terminals
- 05- Tubular Type Sockets
- 06- Special Type Terminals
- 07- Ring Terminal
- 08- Spade Tongue Terminal
- 09- Ring Tongue Terminal
- 10- End Splices
- 11- Splices with Insulation Barrel
- 12- Hat-Mate
- 40- Terminal Housing (Male)
- 41- Terminal Housing (Female)
- 42- Terminal Sleeves
- 43- Sleeved Faston Tabs
- 44- PCB Connector
- 80- Other Product

D- Plating Type:

- 0-Unplated
- 1- Tin Plated Bright
- 2- Nickel Plated
- 3- Silver Plated
- 4- Copper+Nickel Plated
- 5- Copper Plated
- 6- Tin Plated Matte
- 7- Other
- 8- Nickel+Tin Plated Bright
- 9- Nickel+Tin Plated Matte

KL- Plating Method:

- 00- Pre-Tin

K- Color Code (For Plastics)

- 0- Natural
- 1- White
- 2- Black
- 3- Red
- 4- Yellow
- 5- Green
- 6- Blue
- 7- Grey
- 8- Brown
- 9- Purple
- 10- Orange
- 11- Copper Tone

E- Product Type:

- 1- Reel
- 2- Single
- 3- Semi-finished Product
- 4- Reverse Winding

HIJ Product Number:

- 001
- 002
- 003
-
-

KEY TO TERMINAL DESCRIPTION

Terminals are described as shown in the example below. The explanations of the digits are shown below.

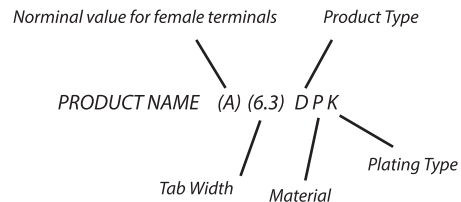
Example: For 6.3 Faston type receptacles:

Explanations:

(A) - Nominal value for female terminals

NOMINAL VALUE FOR FEMALE TERMINALS			
CODE	NOM.	MALE	FEMALE
(A)	0.50	0.50	0.40
(B)	0.80	0.80	0.70
(C)	0.55	0.80	0.55
(D)	0.30	0.40	0.30
(E)	0.60	0.80	0.60
(F)	0.70	0.80	0.70
(G)	0.75	0.85	0.75
(H)	0.65	0.80	0.65
(S)	0.80	0.85	0.80
(N)	0.25	0.50	0.25
(P)	0.50	0.50	0.50
(J)	0.90	1.0	0.90

(6.3) - The value in paranthesis is; Tab width for faston terminals (mm)
Nominal value for faston type receptacles (mm)

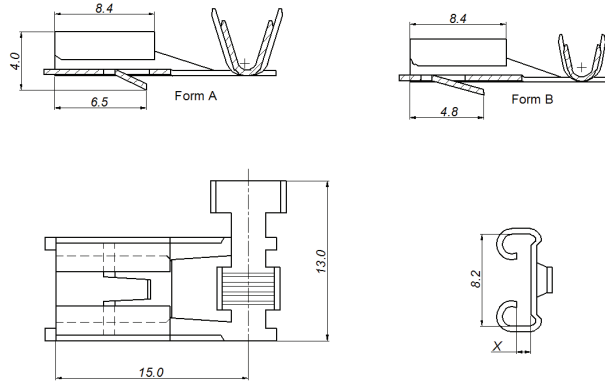


D- Product Type: D-Single R-Reel Y-Semi-finished Product

P- Material: P-Brass B-Copper M-Stainless-finished Product
F- Phospor Bronze C-DC A-German Silver D-CuFe

K- Plating Type: K- Tin Plated N-Nickel Plated
G-Silver Plated Z-Zinc Plated B-Copper Plated

Flag Terminals



7.7 mm

Ürün Adı Product Name	Ürün Kodu Product Code	Malzeme Kalınlığı (mm) Material Thickness (mm)	Kablo Kesiti (mm ²) Wire Size (mm ²)	Form	X	TAB	Malzeme / Material			Adet / SPQ	
							CuZn	CuSn	DC	Rulo / Chain	Dökme / Loose
SF2,5DK EGRI TIR (7.7)	OXXXX04408	0,35	0,50-1,00	A	0,60	0,80	●	*	-	3.000	4.000
SF2,5DK EGRI-K TIR (7.7)	OXXXX04409	0,35	0,50-1,00	B	0,60	0,80	●	*	-	3.000	4.000
SF2,5D EGRI TIR (7.7)	OXXXX04025	0,40	1,00-2,50	A	0,60	0,80	●	*	-	3.000	4.000
SF2,5D EGRI-K TIR (7.7)	OXXXX04377	0,40	1,00-2,50	B	0,60	0,80	●	*	-	3.000	4.000

Kullanıldığı Konnektörler / Used with insulation housing Sayfa / Page

Far Fişi Konnektör / (3 Gözlü) Headlamp Housing (3 Poles)	OXXXX41009	13-15
--	------------	-------

Kaplama / Plating

Sn	Ni	Ag
✓	✓	✓

- Standard Part
- * Available on request