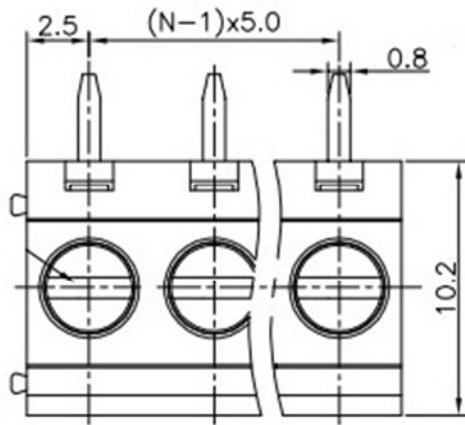


КЛЕММНИК ВИНТОВОЙ НАБОРНЫЙ НА ПЛАТУ

DG128R-5.0-03P-14-00A(H)



Notes:

1. Pitch: 5.0mm , Poles: 2-XP
2. Rated voltage/current: UL 300V/15A Δ
VDE 250V/18A
3. Operation temperatures: -40°C ~ +105°C
4. Withstanding Voltage: AC2000V/1Min
5. Insulation Resistance: 5000M Ω /DC1000V
6. Wire Range: 12~24AWG, 2.5mm²
7. Max. Torque Value: M2.5, 4.08kgf.cm
8. Undimensioned Tolerances:

